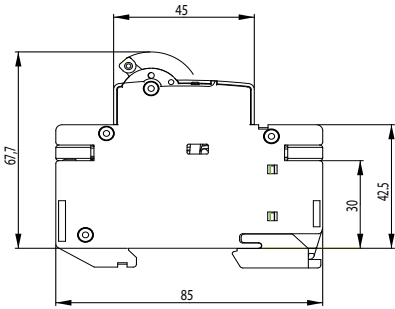
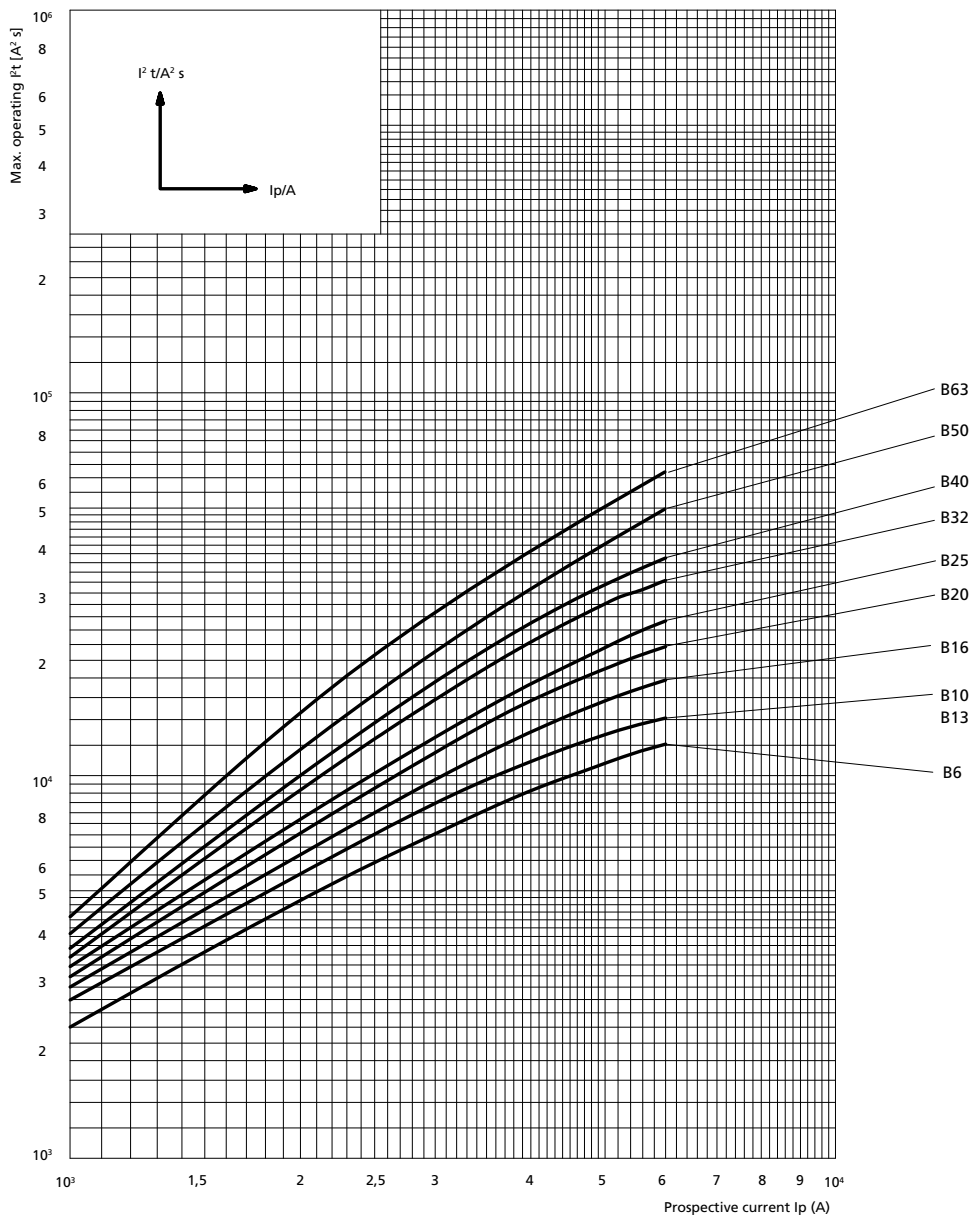


Miniature circuit breaker ETIMAT 6

ASTI



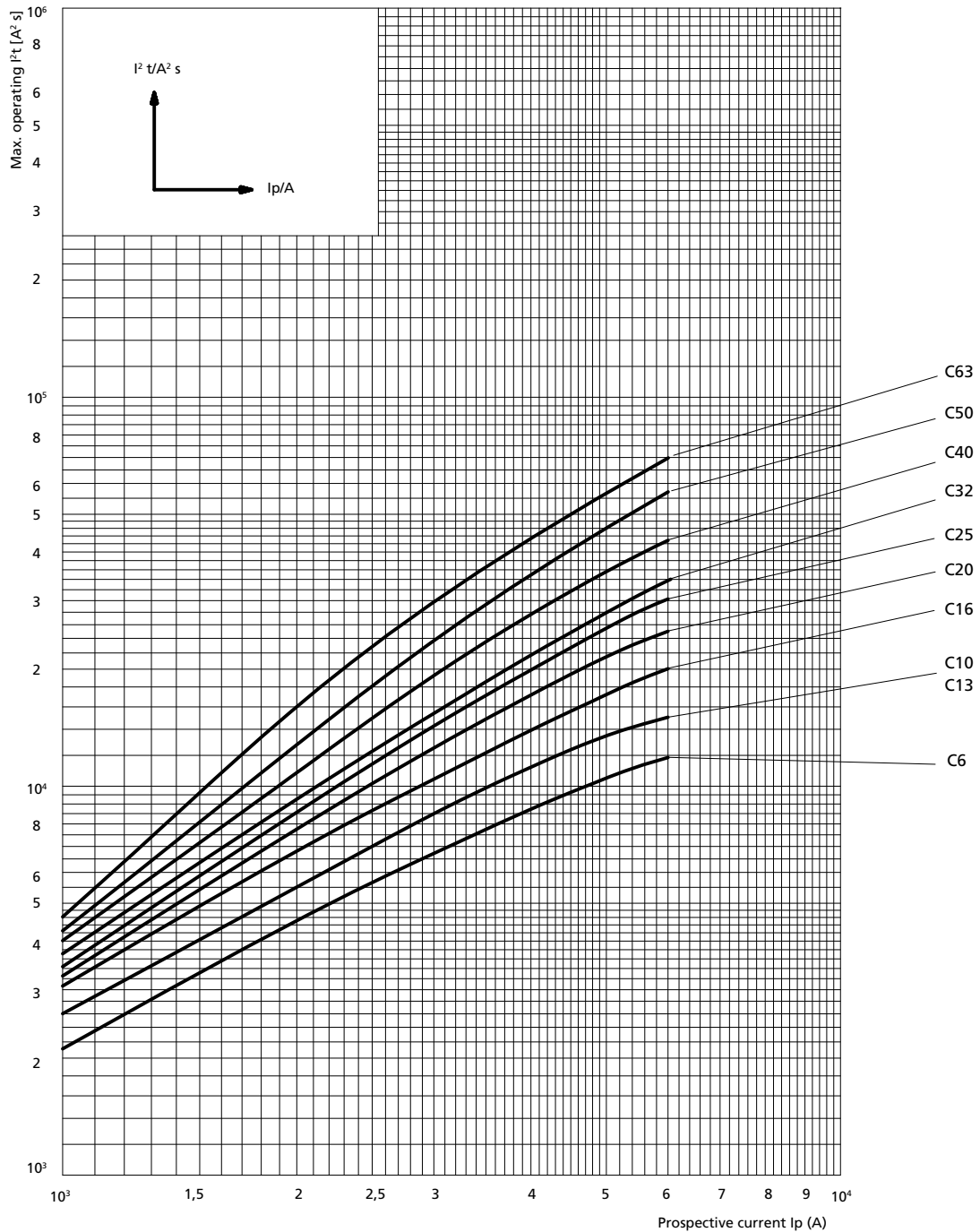
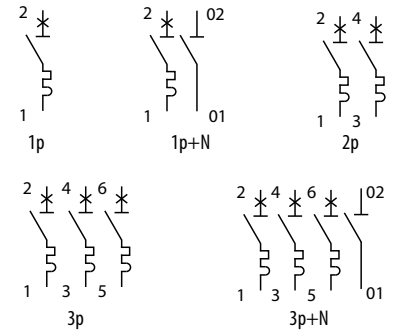
Technical data	
Rated voltage	230/400 V AC, max. 60 V DC / pole
Rated current	B:1-63A, C:0.5-63A, D:0.5-63A
Rated frequency	50/60 Hz
Rated short-circuit capacity	6 kA
Back-up fuse	100A gG
Energy limiting class	3; B, C
Tripping characteristic	B, C, D
Terminals	1 – 25 mm ² , max. 3 Nm
Terminal screw	M5 (Pozidrive PZ2)
Build-in width	18 mm/pol
Mounting on the rail	EN 60715 (EN 50022)
Busbar Thickness	0,8-2mm
Mounting position	any
Sealing possibility	ON / OFF
Electrical endurance (ops)	8.000
Mechanical endurance (ops)	20.000
Overtoltage category	III
Resistance to vibrations acc. to IEC 60068-2-7	5g (10,60 & 500Hz)
Standards	IEC 60898, EN 60898, IEC 60947-2



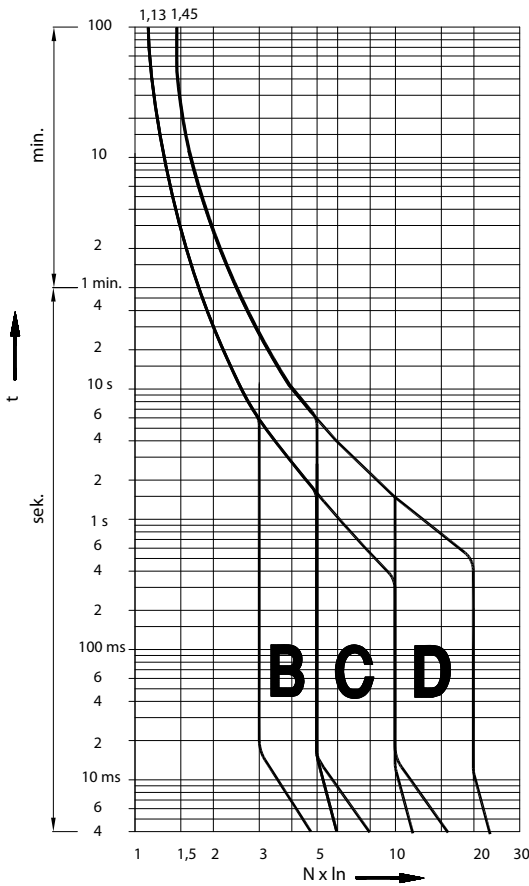
Technical data

Tripping characteristics

Characteristic	Test current	Tripping time	Result
B, C, D	$1,13 I_n$	$t \geq 3600 \text{ s}$	No tripping
B, C, D	$1,45 I_n$	$t < 3600 \text{ s}$	Tripping
B, C, D	$2,55 I_n$	$1 \text{ s} < t < 60 \text{ s}$	Tripping
B	$3,00 I_n$	$t \leq 0,1 \text{ s}$	No tripping
C	$5,00 I_n$	$t \leq 0,1 \text{ s}$	No tripping
D	$10,00 I_n$	$t \leq 0,1 \text{ s}$	No tripping
B	$5,00 I_n$	$t < 0,1 \text{ s}$	Tripping
C	$10,00 I_n$	$t < 0,1 \text{ s}$	Tripping
D	$20,00 I_n$	$t < 0,1 \text{ s}$	Tripping



I/t characteristic at 50 and 60Hz



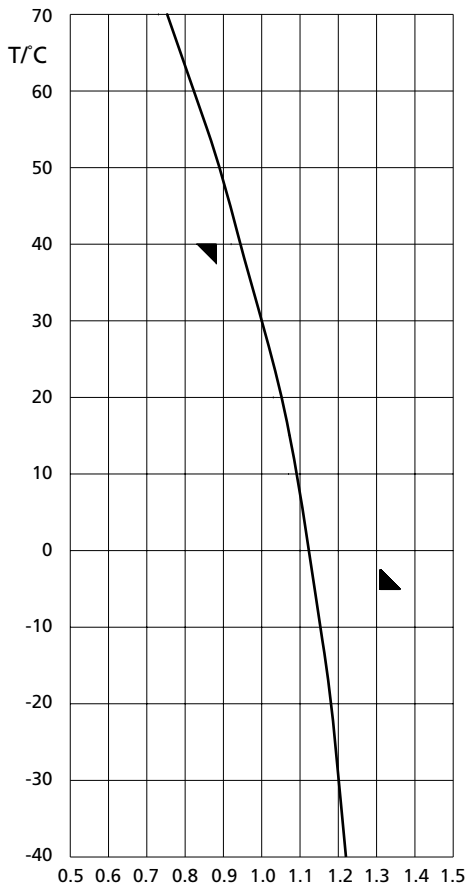
Conductor cross-section [mm ²]	Number of single conductors, rigid, single-wire CU conductor				
	1	2	3	4	5
1,5	✓	✓	✓	✓	✗
2,5	✓	✓	✓	✗	✗
4	✓	✓	✓	✗	✗
6	✓	✓	✗	✗	✗
10	✓	✓	✗	✗	✗
16	✓	✗	✗	✗	✗
25	✓	✗	✗	✗	✗

Remark: When you use more than 2 cables you have to be careful how those cables are inserted, due to insure proper pressure on each cable

Conductor cross-section [mm ²]	Number of single conductors, flexible Cu conductors without cable ferrule					
	1	2	3	4	5	6
1,5	✓	✓	✓	✓	✓	✓
2,5	✓	✓	✓	✓	✓	✓
4	✓	✓	✓	✓	✓	✓
6	✓	✓	✓	✗	✗	✗
10	✓	✓	✗	✗	✗	✗
16	✓	✗	✗	✗	✗	✗
25	✓	✗	✗	✗	✗	✗

Combination of rigid single-wire and flexible multi-wire Cu conductors is not allowed

Effect of the ambient temperature on the tripping characteristic



I _n [A]	Ambient temperature T/°C												
	-40	-30	-20	-10	0	10	20	30	40	50	60	70	
0,5	0,61	0,6	0,59	0,57	0,56	0,54	0,52	0,5	0,47	0,44	0,41	0,38	
1	1,22	1,2	1,18	1,15	1,12	1,09	1,05	1	0,94	0,88	0,82	0,75	
1,6	1,95	1,92	1,89	1,84	1,79	1,74	1,68	1,6	1,51	1,42	1,32	1,2	
2	2,44	2,4	2,36	2,30	2,24	2,18	2,1	2	1,88	1,77	1,65	1,5	
4	4,88	4,8	4,72	4,61	4,49	4,36	4,20	4	3,77	3,55	3,29	3	
6	7,32	7,2	7,09	6,91	6,73	6,54	6,31	6	5,66	5,33	4,94	4,5	
10	12,2	12	11,8	11,5	11,2	10,9	10,5	10	9,44	8,89	8,23	7,5	
13	15,9	15,6	15,4	14,9	14,5	14,1	13,6	13	12,2	11,5	10,7	9,75	
16	19,5	19,2	18,9	18,4	17,9	17,4	16,8	16	15,1	14,2	13,2	12	
20	24,4	24	23,6	23	22,4	21,8	21	21	18,8	17,7	16,5	15	
25	30,5	30	2,5	28,8	28	27,2	26,3	25	23,6	22,2	20,6	18,8	
32	39	38,4	37,8	36,9	35,9	34,9	33,6	32	30,2	28,4	26,3	24	
40	48,8	48	47,8	46,1	44,9	43,6	42	40	37,7	35,5	32,9	30	
50	61	60	59,1	57,6	56,1	54,5	52,6	50	47,2	44,4	41,2	37,5	
63	76,9	75,6	74,4	72,6	70,7	68,7	66,2	63	59,4	56	51,9	47,3	

Correction factor is valid for current with times over 30 s
 I(x°C) - test current at x ambient temperature
 I(30°C) - test current at 30°C ambient temperature

$$k = \frac{I(x^\circ\text{C})}{I(30^\circ\text{C})}$$

Technical data

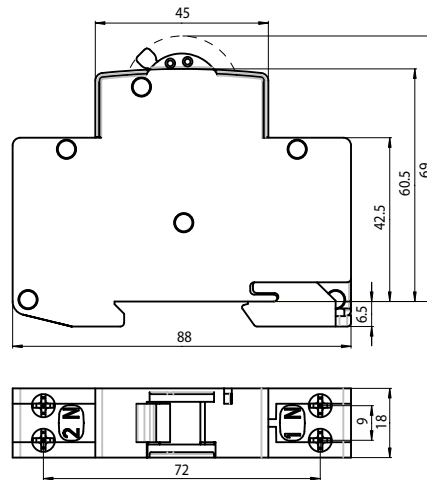
Resistance and power loss			
characteristic	I_n [A]	R/pole [mΩ]	P/pole [w]
C, D	0,5	4500	1,12
	1	1800	1,80
	1,6	450	1,15
	2	280	1,08
	4	110	1,70
B, C, D	6	29	1,08
	10	13	1,30
	13	11,6	2,00
	16	9,0	2,30
	20	5,3	2,00
	25	4,1	2,50
	32	2,6	2,70
	40	1,96	3,20
50	1,5	4,00	
63	1,15	4,80	

Selectivity												
ETIMAT	gG NV											
	20	25	32	35	40	50	63	80	100	125	160	
B 6	0,5	0,78	1,2	1,4	1,7	2,4	4,6	6,0	6,0	6,0	6,0	
B 10/13	0,45	0,65	1,1	1,3	1,6	2,2	4,0	6,0	6,0	6,0	6,0	
B 16		0,55	1,0	1,2	1,5	2,0	3,6	5,5	6,0	6,0	6,0	
B 20			0,85	1,2	1,5	1,8	3,1	4,6	6,0	6,0	6,0	
B 25				1,1	1,4	1,7	2,9	4,0	6,0	6,0	6,0	
B 32					1,3	1,6	2,5	3,4	5,5	6,0	6,0	
B 40						1,5	2,2	3,1	4,9	6,0	6,0	
B 50							2,1	2,9	4,0	6,0	6,0	
B 63								2,5	3,3	5,1	6,0	

ETIMAT	gG NV											
	20	25	32	35	40	50	63	80	100	125	160	
C,D 6	0,52	0,82	1,3	1,5	2,0	2,7	5,1	6,0	6,0	6,0	6,0	
C,D 10/13	0,47	0,70	1,1	1,4	1,8	2,3	4,0	6,0	6,0	6,0	6,0	
C,D 16		0,61	0,92	1,2	1,5	1,9	3,2	5,0	6,0	6,0	6,0	
C,D 20			0,90	1,1	1,4	1,7	2,9	4,2	6,0	6,0	6,0	
C,D 25				1,0	1,3	1,6	2,7	3,9	6,0	6,0	6,0	
C,D 32					1,2	1,5	2,3	3,4	5,2	6,0	6,0	
C,D 40						1,4	2,1	3,0	4,6	6,0	6,0	
C,D 50							2,0	2,7	3,8	6,0	6,0	
C,D 63								2,3	3,2	5,5	6,0	

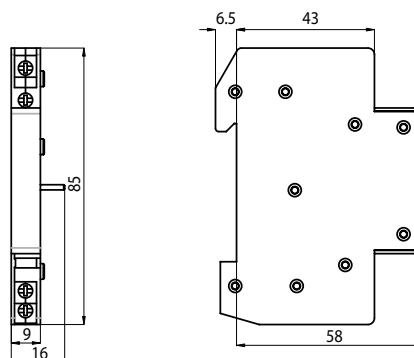
Miniature circuit breaker ETIMAT 1N

Technical data	
Rated voltage U_n	230 V AC
Rated current I_n	6-32 A
Rated frequency f_n	50/60Hz
Rated short-circuit capacity	6.000 A
Back-up fuse	100 A gG
Tripping characteristics	B, C
Overtoltage category	III
Energy limiting class	3
Terminals	1-10mm ² , max. 1,5Nm
Terminal screw	M4 (Pozidrive PZ2)
Build-in width	18mm
Mounting position	any
Supply possibility	top or bottom
Resistance to vibrations acc. to IEC 60068-2-7	5g (10,60 & 500Hz)
Standard	IEC 60898, EN 60898



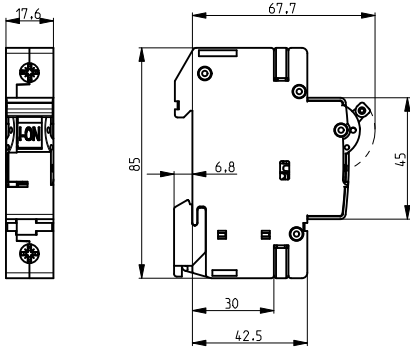
Auxiliary switch PS ETIMAT

Technical data	
Rated current	6A (230V AC), 1A (110V DC), 0,5A (220V DC)
Terminal	1-4mm ² , max 0,5Nm
Terminal screw	M3 (PH1)
Contact	1 xb-contact (NC) 1 xa-contact (NO)
Conditional short-circuit current	1 kA with fuse-link 20 A
Mounting position	any
Standard	EN-62019

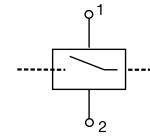


PS ETIMAT is an auxiliary switch only for ETIMAT 6.

Shunt trip release DA ETIMAT

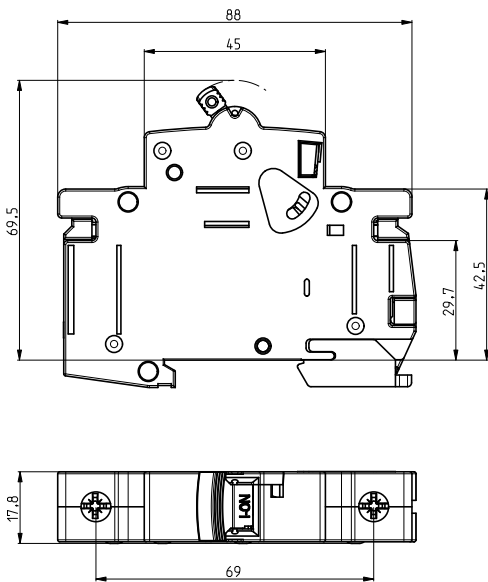


Technical data	
Nominal voltage	24V AC/DC, 48V AC/DC, 230V AC/DC
Rated frequency	50/60Hz
Max. inrush current	3,6 A
Terminals	1-25mm ² , max 3Nm
Terminal Screw	M5 (Pozidrive PZ2)
Build-in width	18mm
Mounting position	any
Mounting on the rail	EN 60715 (EN 50022)

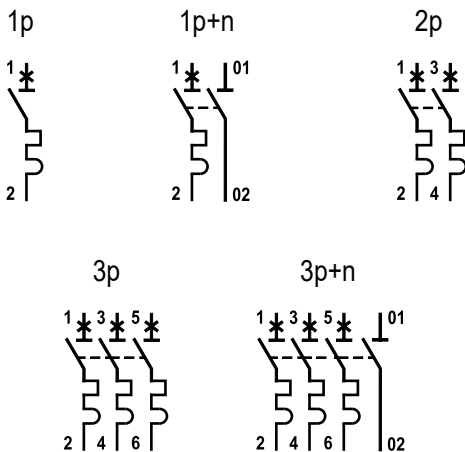


DA ETIMAT is a shunt trip release only for ETIMAT 6.

Miniature circuit breaker ETIMAT P10

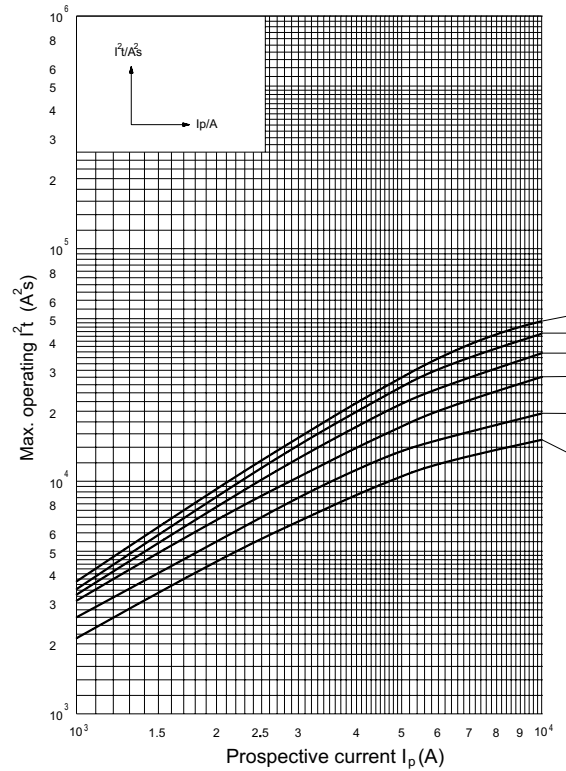
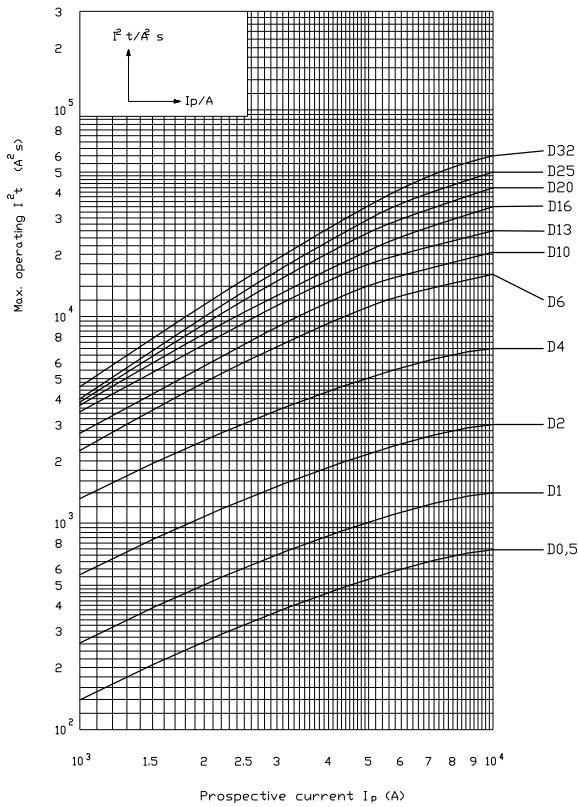
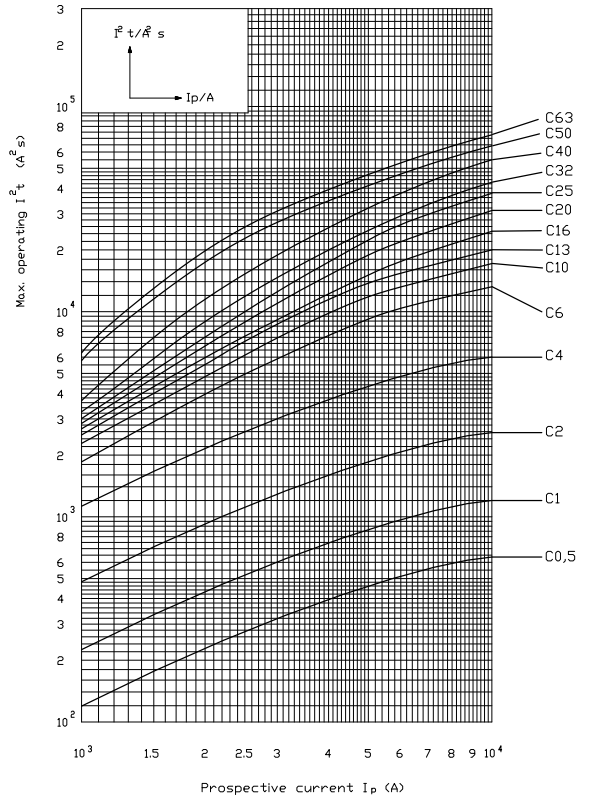
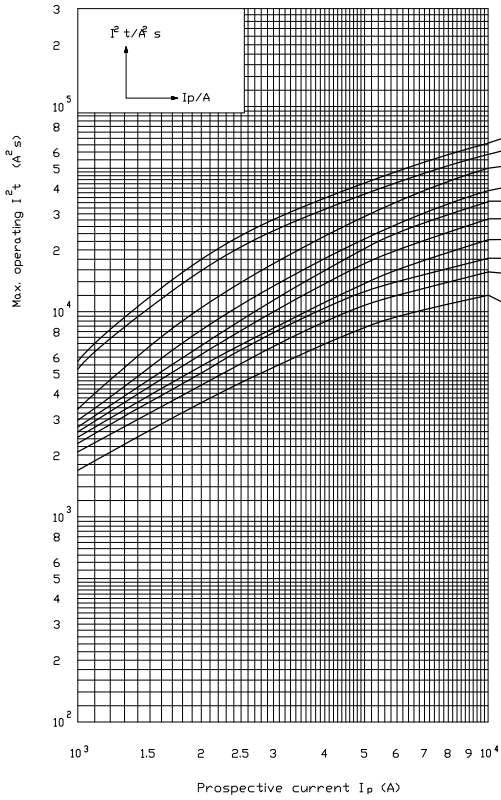


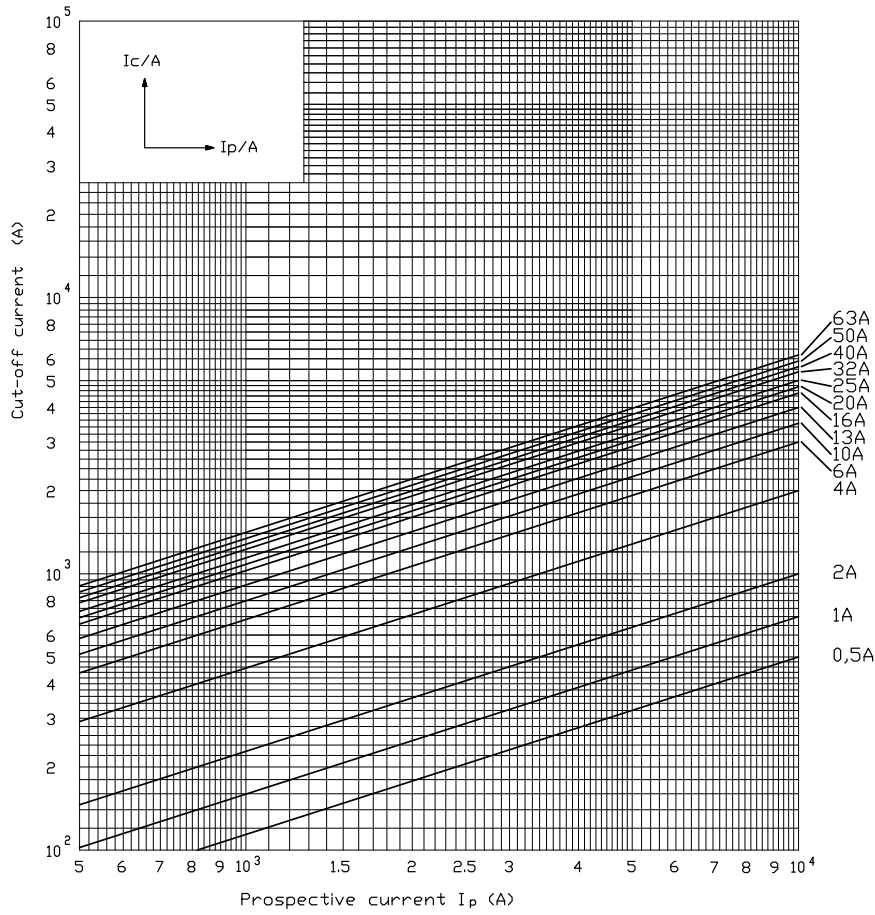
Technical data	
Rated voltage	230/400 V AC; max. 60 V DC / pole
Rated current	B:1-63A, C:0.5-63A, D:0.5-32A, K, Z:0.5-32A
Rated frequency	50/60Hz
Shock resistance	30g.min. 2 shocks, t = 13ms
Rated short-circuit capacity	10 kA
Energy limiting class	3; B,C
Tripping characteristic	B, C, D, K, Z
Back-up fuse	100A gG
Index of protection	IP 20 (IP 40)
Terminals	1-25mm ² , max. 2,5Nm
Terminal screw	M5 (Pozidrive PZ2)
Mechanical endurance	20000 op.c.
Electrical endurance	20000 op.c. (I _n ≤ 32A), 10000 op.c. (I _n > 32A)
Ambient temperature	max. -25°C ... +55°C
Storage temperature	max. -40°C ... +70°C
Supply possibility	top or bottom
Build-in width	18 mm/pol
Insulating class	B
Overtoltage category	III
Mounting on the rail	EN 60715
Mounting position	any
Sealing possibility	✓
Terminal cover	✓
Locking device	✓
Resistance to vibrations acc. to IEC 60068-2-7	5g (10,60 & 500Hz)
Standards	EN 60898, IEC 60898, IEC 60947-2



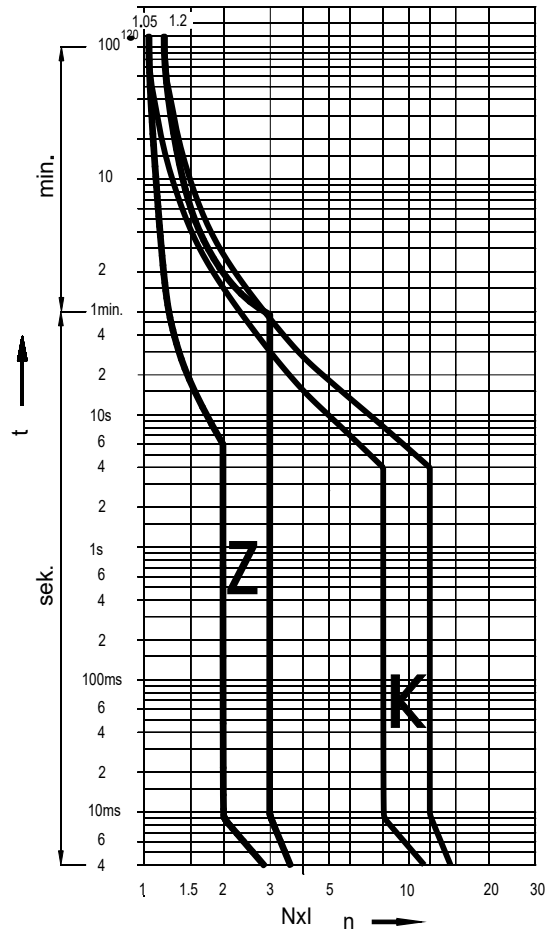
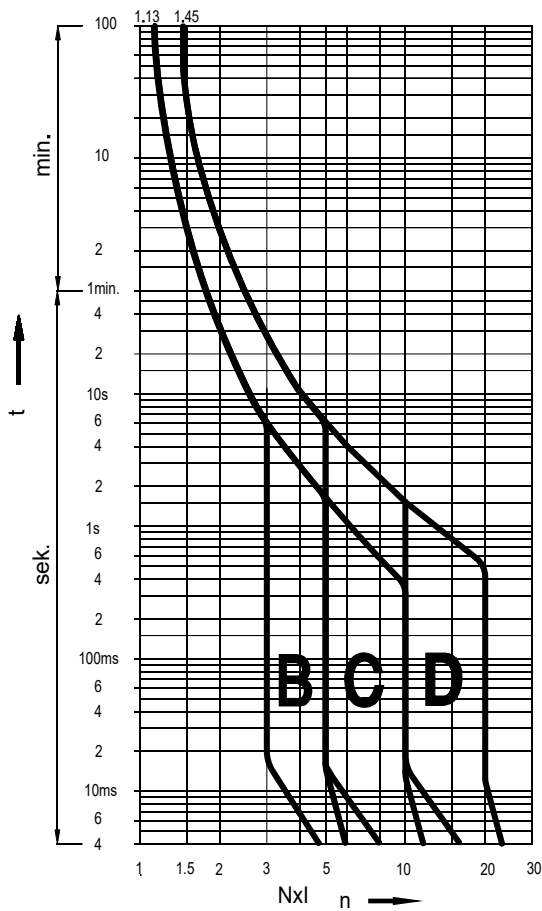
Tripping characteristics			
Characteristic	Test current	Tripping time	Result
B, C, D	1,13 I _n	t ≥ 3600 s	No tripping
B, C, D	1,45 I _n	t < 3600 s	Tripping
B, C, D	2,55 I _n	1s < t < 60 s	Tripping
B	3,00 I _n	t ≤ 0,1 s	No tripping
C	5,00 I _n	t ≤ 0,1 s	No tripping
D	10,00 I _n	t ≤ 0,1 s	No tripping
B	5,00 I _n	t < 0,1 s	Tripping
C	10,00 I _n	t < 0,1 s	Tripping
D	20,00 I _n	t < 0,1 s	Tripping
K	1,05 I _n	t > 7200 s	No Tripping
K	1,20 I _n	t < 7200 s	Tripping
K	8,00 I _n	t ≤ 0,2 s	No Tripping
K	12,00 I _n	t < 0,2 s	Tripping
Z	2,00 I _n	t ≤ 0,2s	No Tripping
Z	3,00 I _n	t < 0,2s	Tripping

Technical data



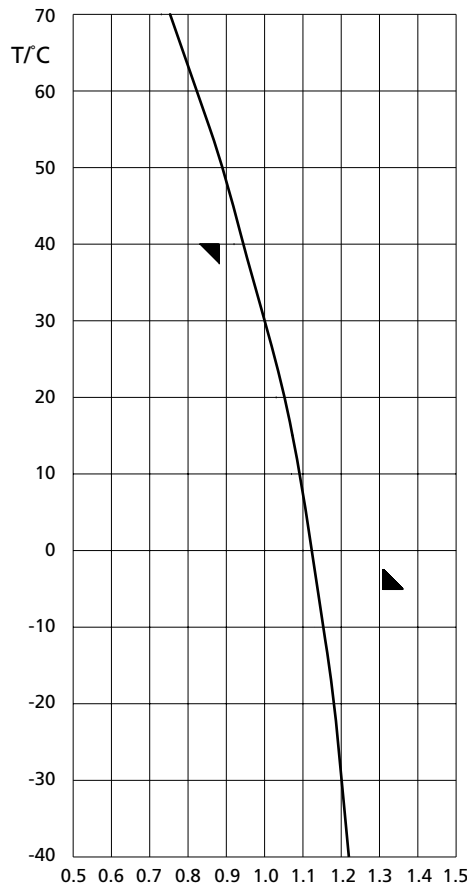


I/t characteristic at 50 and 60Hz



Technical data

Effect of the ambient temperature on the tripping characteristic



Correction factor is valid for current with times over 30 s
 $I(x^{\circ}C)$ - test current at x ambient temperature
 $I(30^{\circ}C)$ - test current at 30°C ambient temperature

$$k = \frac{I(x^{\circ}C)}{I(30^{\circ}C)}$$

I_n [A]	Ambient temperature T/°C											
	-40	-30	-20	-10	0	10	20	30	40	50	60	70
0,5	0,61	0,6	0,59	0,57	0,56	0,54	0,52	0,5	0,47	0,44	0,41	0,38
1	1,22	1,2	1,18	1,15	1,12	1,09	1,05	1	0,94	0,88	0,82	0,75
1,6	1,95	1,92	1,89	1,84	1,79	1,74	1,68	1,6	1,51	1,42	1,32	1,2
2	2,44	2,4	2,36	2,30	2,24	2,18	2,1	2	1,88	1,77	1,65	1,5
4	4,88	4,8	4,72	4,61	4,49	4,36	4,20	4	3,77	3,55	3,29	3
6	7,32	7,2	7,09	6,91	6,73	6,54	6,31	6	5,66	5,33	4,94	4,5
10	12,2	12	11,8	11,5	11,2	10,9	10,5	10	9,44	8,89	8,23	7,5
13	15,9	15,6	15,4	14,9	14,5	14,1	13,6	13	12,2	11,5	10,7	9,75
16	19,5	19,2	18,9	18,4	17,9	17,4	16,8	16	15,1	14,2	13,2	12
20	24,4	24	23,6	23	22,4	21,8	21	21	18,8	17,7	16,5	15
25	30,5	30	2,5	28,8	28	27,2	26,3	25	23,6	22,2	20,6	18,8
32	39	38,4	37,8	36,9	35,9	34,9	33,6	32	30,2	28,4	26,3	24
40	48,8	48	47,8	46,1	44,9	43,6	42	40	37,7	35,5	32,9	30
50	61	60	59,1	57,6	56,1	54,5	52,6	50	47,2	44,4	41,2	37,5
63	76,9	75,6	74,4	72,6	70,7	68,7	66,2	63	59,4	56	51,9	47,3

Conductor cross-section [mm ²]	Number of single conductors, rigid, single-wire CU conductor				
	1	2	3	4	5
1,5	✓	✓	✓	✓	✗
2,5	✓	✓	✓	✗	✗
4	✓	✓	✓	✗	✗
6	✓	✓	✗	✗	✗
10	✓	✓	✗	✗	✗
16	✓	✗	✗	✗	✗
25	✓	✗	✗	✗	✗

Remark: When you use more than 2 cables you have to be careful how those cables are inserted, due to insure proper pressure on each cable

Conductor cross-section [mm ²]	Number of single conductors, flexible Cu conductors without cable ferrule					
	1	2	3	4	5	6
1,5	✓	✓	✓	✓	✓	✓
2,5	✓	✓	✓	✓	✓	✓
4	✓	✓	✓	✓	✓	✓
6	✓	✓	✓	✗	✗	✗
10	✓	✓	✗	✗	✗	✗
16	✓	✗	✗	✗	✗	✗
25	✓	✗	✗	✗	✗	✗

Combination of rigid single-wire and flexible multi-wire Cu conductors is not allowed

Resistance and power loss

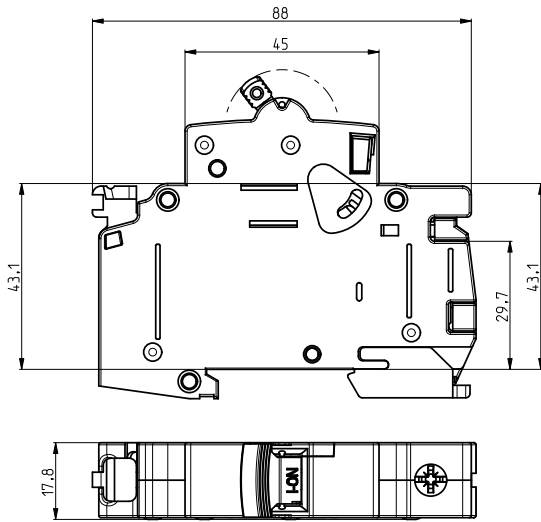
characteristic	I _n [A]	R/pole [mΩ]	P/pole [w]
C, D, K, Z	0,5	5700	1,43
	1	1540	1,54
	2	365	1,46
	4	104	1,66
B, C, D, K, Z	6	47	1,68
	10	21	2,1
	13	13,1	2,21
	16	9,7	2,48
	20	6,8	2,70
	25	5,0	3,13
B, C	40	2,4	3,80
	50	1,7	4,25
	63	1,23	4,90

Selectivity

type	gG NV [kA]										
	20	25	32	35	40	50	63	80	100	125	160
B 6	0,5	0,78	1,2	1,4	1,7	2,4	4,6	7,0	10	10	10
B 10/13	0,45	0,65	1,1	1,3	1,6	2,2	4,0	6,5	10	10	10
B 16		0,55	1,0	1,2	1,5	2,0	3,6	5,5	9,5	10	10
B 20			0,85	1,2	1,5	1,8	3,1	4,6	9,0	10	10
B 25				1,1	1,4	1,7	2,9	4,0	8,0	10	10
B 32					1,3	1,6	2,5	3,4	5,5	9,0	10
B 40						1,5	2,2	3,1	4,9	8,0	10
B 50							2,1	2,9	4,0	6,2	10
B 63								2,5	3,3	5,1	8,0

type	gG NV [kA]										
	20	25	32	35	40	50	63	80	100	125	160
C,D,K,Z 6	0,52	0,82	1,3	1,5	2,0	2,7	5,1	9,0	10	10	10
C,D,K,Z 10/13	0,47	0,70	1,1	1,4	1,8	2,3	4,0	7,0	10	10	10
C,D,K,Z 16		0,61	0,92	1,2	1,5	1,9	3,2	5,0	9,0	10	10
C,D,K,Z 20			0,90	1,1	1,4	1,7	2,9	4,2	8,0	10	10
C,D,K,Z 25				1,0	1,3	1,6	2,7	3,9	6,0	10	10
C,D,K,Z 32					1,2	1,5	2,3	3,4	5,2	9,0	10
C 40						1,4	2,1	3,0	4,6	8,0	10
C 50							2,0	2,7	3,8	7,0	10
C 63								2,3	3,2	5,5	9,0

Miniature circuit breaker ETIMAT P10 QC (screwless terminal)



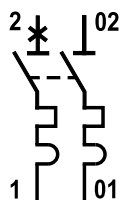
Technical data

Rated voltage	230/400 V AC; max. 60 V DC
Rated current	B:6-20A, C:0.5-20A, D:0.5-20A, K:0.5-20A
Rated frequency	50/60Hz
Shock resistance	30g.min. 2 shocks, t = 13ms
Rated short-circuit capacity	10 kA
Energy limiting class	3; B,C
Tripping characteristic	B, C, D, K
Back-up fuse	100A gG
Index of protection	IP 20 (IP 40)
Terminals	1-4mm ²
Mechanical endurance	20000 op.c.
Electrical endurance	20000 op.c.
Ambient temperature	max. -25°C to +55°C
Storage temperature	max. -40°C to +70°C
Build-in width	18 mm/pol
Insulating class	B
Mounting on the rail	EN 60715
Mounting position	any
Sealing possibility	✓
Terminal cover	✓
Locking device	✓
Resistance to vibrations acc. to IEC 60068-2-7	5g (10,60 & 500Hz)
Standards	EN 60898, IEC 60898, EN 60947-2

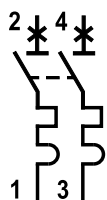
1p



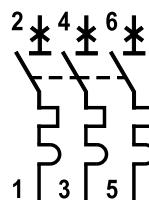
1p+n



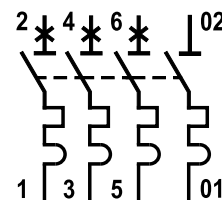
2p



3p



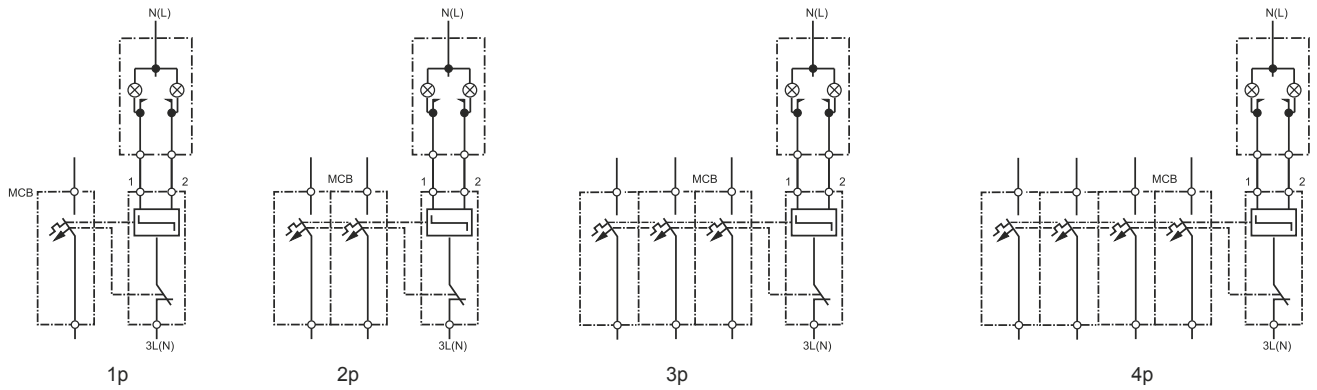
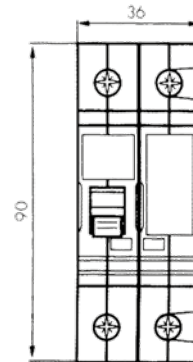
3p+n



Technical data

Miniature circuit breaker ETIMAT RC (Remote Control)

Technical data	
Rated voltage	230V
Rated current	B: 6-63 A, C: 6-63 A
Rated frequency	50/60Hz
Energy limiting class	3
Back-up fuse	100 A gG
Index of protection	IP 20 (IP 40)
Terminals	max. 1.5mm ² , max. 0.8Nm
Mech. / electrical endurance	20000 op.c., max 4/min
Ambient temperature	max. 35°C
Storage temperature	max. -40°C... +70°C
Mounting on the rail	EN 60715
Mounting position	any
Sealing possibility	✓
Terminal cover	✓
Locking device	✓
No. of poles	1, 2, 3, 4



Conductor cross-section [mm ²]	Number of single conductors, rigid, single-wire Cu conductor				
	1	2	3	4	5
1,5	✓	✓	✓	✓	✗
2,5	✓	✓	✓	✗	✗
4	✓	✓	✓	✗	✗
6	✓	✓	✗	✗	✗
10	✓	✓	✗	✗	✗
16	✓	✗	✗	✗	✗
25	✓	✗	✗	✗	✗

Remark: When you use more than 2 cables you have to be careful how those cables are inserted, due to insure proper pressure on each cable

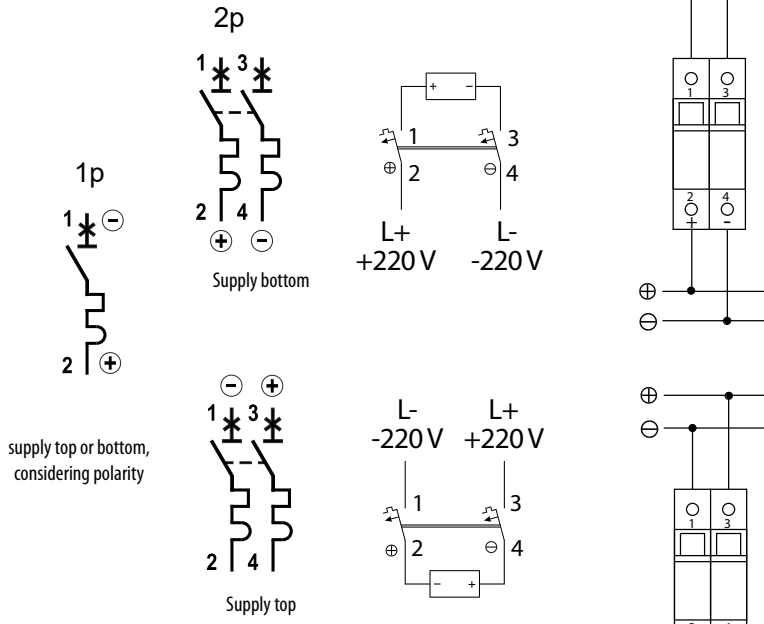
Conductor cross-section [mm ²]	Number of single conductors, flexible Cu conductors without cable ferrule					
	1	2	3	4	5	6
1,5	✓	✓	✓	✓	✓	✓
2,5	✓	✓	✓	✓	✓	✓
4	✓	✓	✓	✓	✓	✓
6	✓	✓	✓	✗	✗	✗
10	✓	✓	✗	✗	✗	✗
16	✓	✗	✗	✗	✗	✗
25	✓	✗	✗	✗	✗	✗

Combination of rigid single-wire and flexible multi-wire Cu conductors is not allowed

Miniature circuit breaker ETIMAT P10 DC

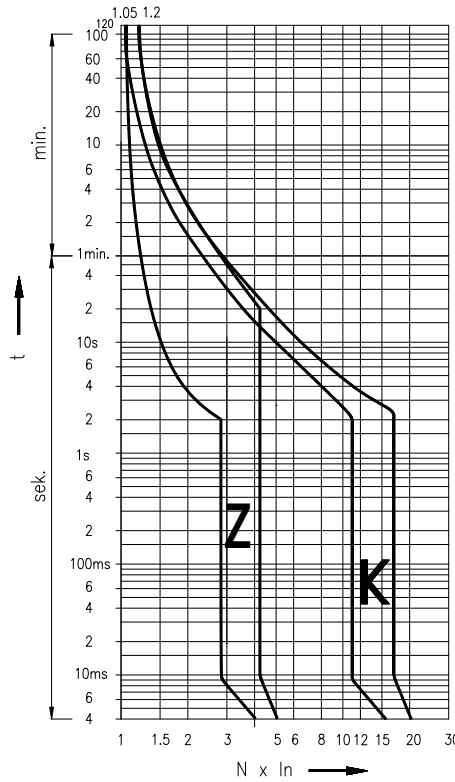
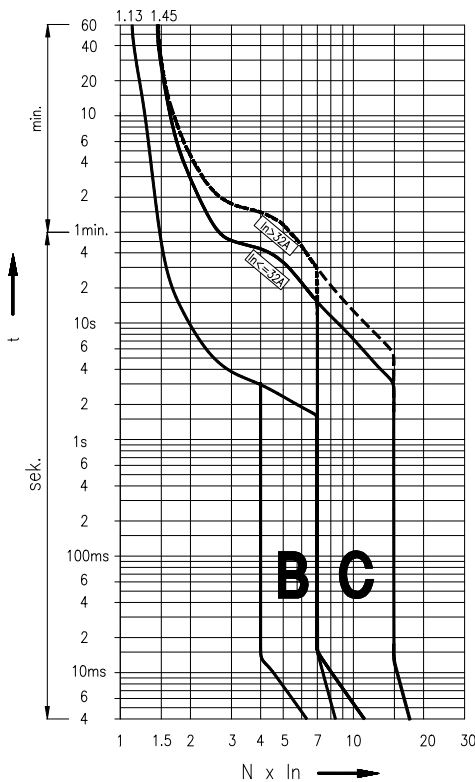
Technical data

Rated voltage - for 1-pole U_n	220 V DC
- for 2-pole U_n	220 V / 440 V DC
Rated time constant L/R	4 ms
Rated current I_n	0,5-32A (K & Z), 0,5-63A (C), 2-63A (B)
Rated short-circuit capacity	10 kA
Tripping characteristic	B, C, K, Z
Energy limiting class	3
Insulating class	B
Back-up fuse	100 A gG
Terminals	1-25mm ² , max. 2,5Nm
Terminal screw	M5 (Pozidrive PZ2)
Mounting position	any
Resistance to vibrations (IEC 60068-2-7)	5g (10,60 & 500Hz)
Standards	IEC 60898, EN 60898, DIN VDE 0641



Connecting diagrams in direct current electric circuits

Rated voltage of circuit breaker	220 V ---	220/440 V ---	220/440 V ---	220/440 V ---
Voltage between conductors - max.	220 V ---	440 V ---	440 V ---	440 V ---
Voltage between conductor and earth - max.	220 V ---	220 V ---	440 V ---	220 V ---
Circuit breaker	1-pole	2-pole	2-pole	2-pole
Connecting diagram				



Conductor cross-section [mm ²]	Number of single conductors, rigid, single-wire CU conductor				
	1	2	3	4	5
1,5	✓	✓	✓	✓	✗
2,5	✓	✓	✓	✗	✗
4	✓	✓	✓	✗	✗
6	✓	✓	✗	✗	✗
10	✓	✓	✗	✗	✗
16	✓	✗	✗	✗	✗
25	✓	✗	✗	✗	✗

Remark: When you use more than 2 cables you have to be careful how those cables are inserted, due to insure proper pressure on each cable

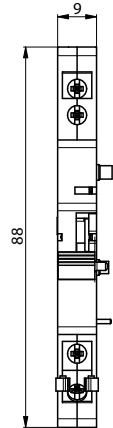
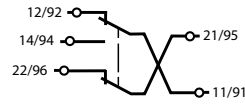
Conductor cross-section [mm ²]	Number of single conductors, flexible Cu conductors without cable ferrule					
	1	2	3	4	5	6
1,5	✓	✓	✓	✓	✓	✓
2,5	✓	✓	✓	✓	✓	✓
4	✓	✓	✓	✓	✓	✓
6	✓	✓	✓	✗	✗	✗
10	✓	✓	✗	✗	✗	✗
16	✓	✗	✗	✗	✗	✗
25	✓	✗	✗	✗	✗	✗

Combination of rigid single-wire and flexible multi-wire Cu conductors is not allowed

Technical data

Auxiliary signal switch PS/SS E P10

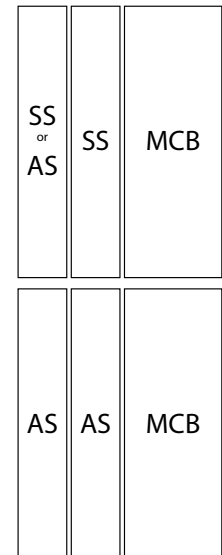
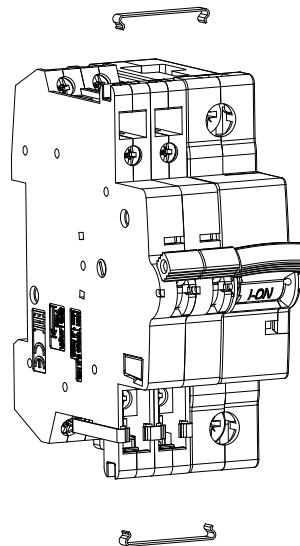
Technical data	
Function	Auxiliary or Signal Switch
Rated voltage	230V AC/DC, 110V DC
Rated current	6A (230V AC); 1A (110V DC); 0,5A (220V DC)
Rated frequency	50/60Hz, DC
Index of protection	IP 20 (IP 40)
Terminal capacity	1,5mm ²
Terminal Screw	M3 PH1
Terminal torque	max 0,5Nm
Ambient temperature	-25°C to +40°C
Storage temperature	-40°C to +70°C
Contacts	1x NC, 1x NC/NO
Mounting position	any
Standards	EN 62019



AUX switch connections	status of the breaker	
	ON	OFF
11-14 NO	1	0
11-12 NC	0	1
21-22 NC	0	1

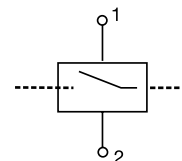
Signal switch connections	status of the breaker		
	ON	manual trip	overcurrent trip
11-14 NO	1	1	0
11-12 NC	0	0	1
21-22 NC	0	0	1

NO - Normally open contact --> during the activation it makes a contact
 NC - Normally closed contact --> during the activation it brakes the contact
 1 - contact
 0 - without a contact



Shunt trip release DA ETIMAT P10

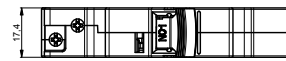
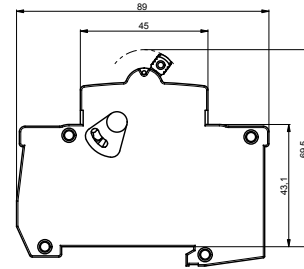
Technical data	
Rated voltage	12-60V AC/DC, 110-250V AC/DC
Rated frequency	50/60Hz, DC
Max inrush current	3A
Index of protection	IP 20 (IP 40)
Terminals	1-25mm ² , max. 2,5Nm
Ambient temperature	M5 (Pozidrive PZ2)
Terminal screw	max. 35°C
Storage temperature	max. -40°C to +70°C
Mounting on the rail	EN 60715
Mounting position	any
Sealing possibility	✓
Terminal cover	✓
Locking device	✓



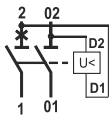
Note: Same dimensions as ETIMAT P10

Undervoltage release UA ETIMAT P10

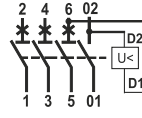
Technical data		
Type	UA ETIMAT P10/48V	UA ETIMAT P10/230V
Rated voltage	48V	230V
Rated frequency	50/60Hz	
Tripping area	$<35\% U_n$ tripping $35\%-70\% U_n$ tripping or no tripping $>70\% U_n$ no tripping	
Consumption	3,8 VA	
Build-in width	18 mm	
Mounting position	any	
Standards	IEC/EN 60947-1	



1p

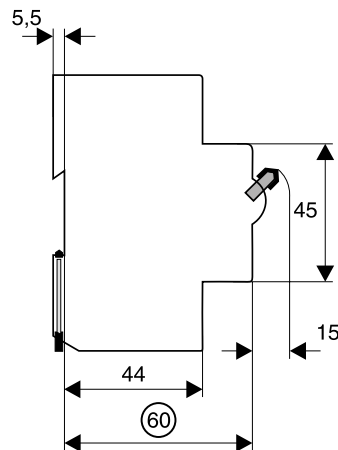
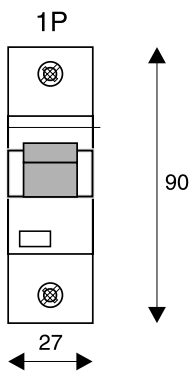


3p

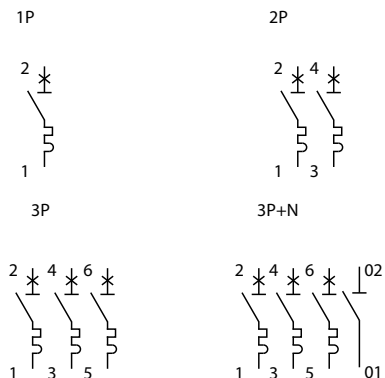


Miniature circuit breaker ETIMAT 10 80-125 A

Technical data		
Rated voltage	80-125 A	230/400V AC, 60V DC/pole
Rated current	80, 100, 125 A	
Tripping characteristics	B, C, D	
Rated frequency	50/60 Hz	
Rated insulation voltage	440V AC (80-125A)	
Rated impulse withstand voltage U_{imp}	4kV (80-125A)	
Rated short-circuit capacity:	Characteristic B, C	$I_n=80, 100 A$ 20kA (EN 60947-2)
		$I_n=125 A$ 15kA (EN 60947-2)
	Characteristic D	$I_n=80 A$ 20kA (EN 60947-2)
		$I_n=100 A$ 15kA (EN 60947-2)
Energy limiting class	3	
Terminals	80-125 A	2,5-50mm ²
Build-in width	80-125 A 27mm/Pol	
Mounting on the rail	EN 60715 (EN 50022)	
Mounting position	any	
Mechanical durability (cycles)	80-125 A	min. 20000
Sealing possibility	ON / OFF	
Resistance to vibrations (IEC 60068-2-7)	5g (10,60 & 500Hz)	
Standards	EN 60898, EN 60947-2	



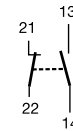
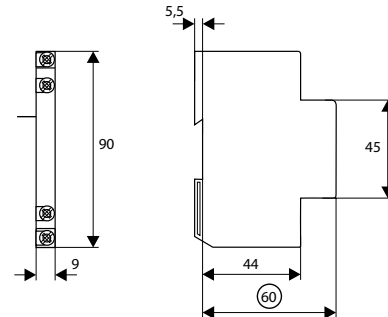
ETIMAT 10, 80-125 A,



Technical data

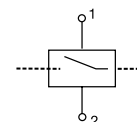
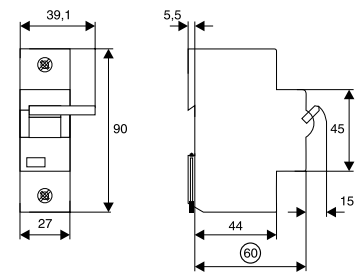
Auxiliary switch PSM 80 - 125 A

Technical data	
Rated current	6 A / AC13 (250 V AC)
Rated thermal current I_{th}	8 A
Rated insulation voltage	440 V AC
Max. back-up fuse	6A
Contacts	1x a-contact, 1x b-contact
Utilization category AC-13	6 A/250 V AC
	2 A/440 V AC
Utilization category DC-13	4 A/600 V DC
	2 A/110 V DC
	0,5 A/230 V DC
Build-in width	9 mm/Pol
Mounting position	any
Mounting on the rail	EN 60715 (EN 50022)
Terminals	1x1mm ² ... 2x2,5mm ²
Standard	EN 60947-5-1



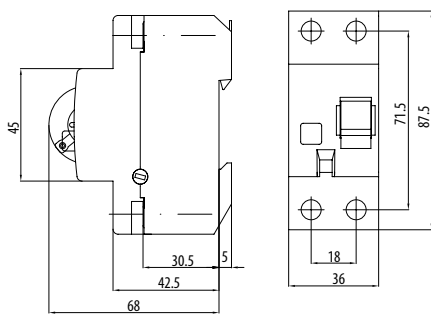
Shunt trip release DA ETIMAT 10 80 - 125A

Technical data	24V	230V
Responding limit	8 V AC / 11 V DC	70 V AC / 90 V DC
Operating voltage range	12 V...60 V AC / DC	110 V...415 V AC / 110 V...230 V DC
Max. current consumption at the moment of switching on	18 A (24 V)	2 A (230 V)
Duration of current flow at max consumption	4,5 ms (AC) / 2 ms (DC)	4,5 ms (AC) / 4 ms (DC)
Minimum pulse duration	15 ms	10 ms
Internal resistance	2,0 Ω	130 Ω
Duty		100 %
Tripping time		< 20 ms
Peak withstand voltage		2 kV
Service live operating cycles		> 4000
Upper / lower terminals		lift / lift
Conductor cross section	2,5 mm ² ... 50 mm ²	

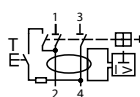


Residual current circuit breaker EFI-2

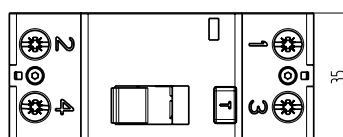
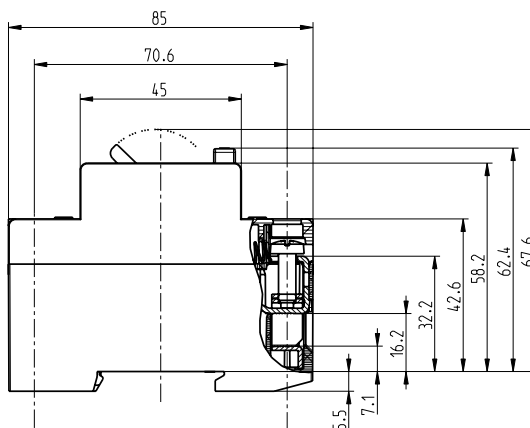
Technical data			
Type	Instantenous	G/KV type	S type
Electrical			
Rated voltage U_n	230/240V AC	230/240V AC	230/240V AC
Rated current I_n	16, 25, 40, 63, 80, 100A	25, 40, 63A	25, 40, 63, 100A
Rated Insulation voltage U_i	440V	440V	440V
Rated frequency f_n	50/60Hz	50/60Hz	50/60Hz
Peak withstand current	-	3kA (8/20ms) surge current proof	5kA (8/20ms) surge current proof
Electrical isolation	> 4mm contact space	> 4mm contact space	> 4mm contact space
Rated residual operating current $I_{\Delta n}$	0,03; 0,1 & 0,3A	0,03; 0,1 & 0,3A	0,1 & 0,3A
Rated conditional short-circuit current I_{cn}	10kA	10kA	10kA
Rated making and breaking capacity I_m	800A	630A	630A
Maximum back-up fuse	100A gG	80A gG	80A gG
Isolation class	B	B	B
Standard	IEC/EN 61008	IEC/EN 61008, OVE E 8601	IEC/EN 61008
Mechanical endurance (op. c.)	> 4000	> 4000	> 4000
Electrical endurance (op. c.)	> 2000	> 2000	> 2000
Mechanical			
Frame size	45mm	45mm	45mm
Device height	68mm (DIN rail acc to EN60715)	68mm (DIN rail acc to EN60715)	68mm (DIN rail acc to EN60715)
Device width	36mm (2 x Module units 18mm)	36mm (2 x Module units 18mm)	36mm (2 x Module units 18mm)
Degree of protection	IP20	IP20	IP20
Upper and lower terminals	open mounted/lift terminals	open mounted/lift terminals	open mounted/lift terminals
Terminal capacity	1-25mm ²	1-25mm ²	1-25mm ²
Terminal screw	M5 (Pozidrive PZ2)	M5 (Pozidrive PZ2)	M5 (Pozidrive PZ2)
Terminal torque	2-2,5Nm	2-2,5Nm	2-2,5Nm
Busbar thickness	0,8 - 2 mm	0,8 - 2 mm	0,8 - 2 mm
Operating temperature	-25°C ... +55°C	-25°C ... +55°C	-25°C ... +55°C
Storage and transport temperature	-40°C ... +70°C	-40°C ... +70°C	-40°C ... +70°C
Resistance to climatic conditions	IEC/EN 61008	IEC/EN 61008	IEC/EN 61008
Resistance to vibrations acc. to IEC 60068-2-7	5g (10,60 & 500Hz)	5g (10,60 & 500Hz)	5g (10,60 & 500Hz)
Contact position indicator	mechanical red/green	mechanical red/green	mechanical red/green
Supply possibility	Top or bottom	Top or bottom	Top or bottom
Mounting position	any	any	any



EFI-2 16-80 A



EFI-2 100 A



EFI-2 100 A

Technical data

I_n	Powerlost EFI-2 G/KV & S type
	P / pole (W)
25A	1,29 - 1,43
40A	2,80 - 3,05
63A	4,28 - 5,34

Conductor cross-section [mm ²]	Number of single conductors, rigid, single-wire Cu conductor				
	1	2	3	4	5
1,5	✓	✓	✓	✓	✗
2,5	✓	✓	✓	✗	✗
4	✓	✓	✓	✗	✗
6	✓	✓	✗	✗	✗
10	✓	✓	✗	✗	✗
16	✓	✗	✗	✗	✗
25	✓	✗	✗	✗	✗

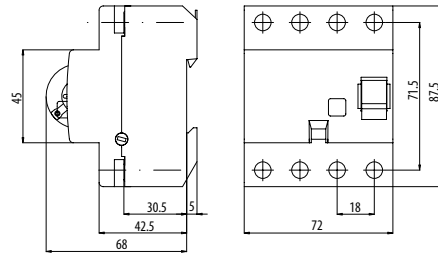
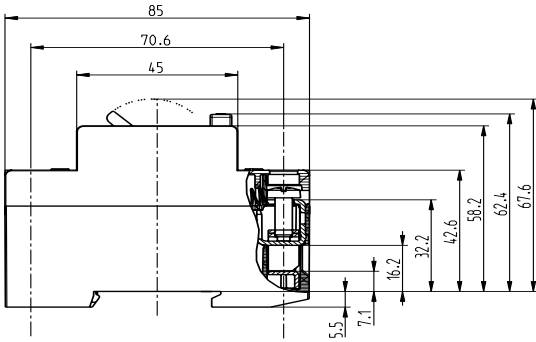
Remark: When you use more than 2 cables you have to be careful how those cables are inserted, due to insure proper pressure on each cable

Conductor cross-section [mm ²]	Number of single conductors, flexible Cu conductors without cable ferrule					
	1	2	3	4	5	6
1,5	✓	✓	✓	✓	✓	✓
2,5	✓	✓	✓	✓	✓	✓
4	✓	✓	✓	✓	✓	✓
6	✓	✓	✓	✗	✗	✗
10	✓	✓	✗	✗	✗	✗
16	✓	✗	✗	✗	✗	✗
25	✓	✗	✗	✗	✗	✗

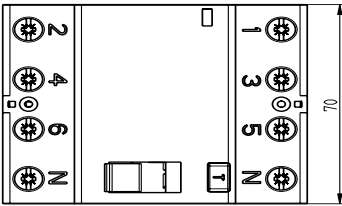
Combination of rigid single-wire and flexible multi-wire Cu conductors is not allowed

Residual current circuit breaker EFI-4

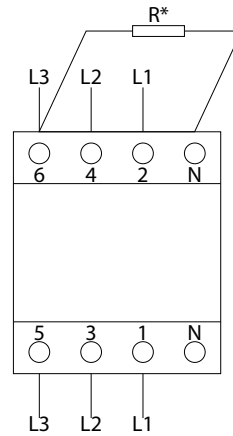
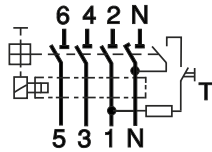
Technical data			
Type	Instantaneous	G/KV type	S type
Electrical			
Rated voltage U_n	400/415V AC	400/415V AC	400/415V AC
Rated current I_n	16, 25, 40, 63, 80, 100A	25, 40, 63A	25, 40, 63, 100A
Rated Insulation voltage U_i	440V	440V	440V
Rated frequency f_n	50/60Hz	50/60Hz	50/60Hz
Peak withstand current	-	3kA (8/20ms) surge current proof	5kA (8/20ms) surge current proof
Electrical isolation	> 4mm contact space	> 4mm contact space	> 4mm contact space
Rated residual operating current $I_{\Delta n}$	0,03; 0,1 & 0,3A	0,03; 0,1 & 0,3A	0,1 & 0,3A
Rated conditional short-circuit current I_{cn}	10kA	10kA	10kA
Rated making and breaking capacity I_m	800A	630A	630A
Maximum back-up fuse	100A gG	80A gG	80A gG
Isolation class	B	B	B
Standard	IEC/EN 61008	IEC/EN 61008, OVE E 8601	IEC/EN 61008
Mechanical endurance (op. c.)	> 4000	> 4000	> 4000
Electrical endurance (op. c.)	> 2000	> 2000	> 2000
Mechanical			
Frame size	45mm	45mm	45mm
Device height	68mm (DIN rail acc to EN60715)	68mm (DIN rail acc to EN60715)	68mm (DIN rail acc to EN60715)
Device width	72mm (4 x Module units 18mm)	72mm (4 x Module units 18mm)	72mm (4 x Module units 18mm)
Degree of protection	IP20	IP20	IP20
Upper and lower terminals	open mounted/lift terminals	open mounted/lift terminals	open mounted/lift terminals
Terminal capacity	1-25mm ²	1-25mm ²	1-25mm ²
Terminal screw	M5 (Pozidrive PZ2)	M5 (Pozidrive PZ2)	M5 (Pozidrive PZ2)
Terminal torque	2-2,5Nm	2-2,5Nm	2-2,5Nm
Busbar thickness	0,8 - 2 mm	0,8 - 2 mm	0,8 - 2 mm
Operating temperature	-25°C ... +55°C	-25°C ... +55°C	-25°C ... +55°C
Storage and transport temperature	-40°C ... +70°C	-40°C ... +70°C	-40°C ... +70°C
Resistance to vibrations acc. to IEC 60068-2-7	5g (10,60 & 500Hz)	5g (10,60 & 500Hz)	5g (10,60 & 500Hz)
Resistance to climatic conditions	IEC/EN 61008	IEC/EN 61008	IEC/EN 61008
Contact position indicator	mechanical red/green	mechanical red/green	mechanical red/green
Supply possibility	Top or bottom	Top or bottom	Top or bottom
Mounting position	any	any	any



EFI-4 16-80 A



EFI-4 100 A



RCD EFI-4 Type in 3-phase system without neutral conductor:

- 30mA: R=4k7/1W (500V)
- 100mA: R=1k/1W (500V)
- 300mA: R=1k6/1W (500V)
- 500mA: R=1k6/1W (500)

* Resistor (R) has to be connected between N and L3 as to ensure proper functionality of the test button.

I_n	Powerlost EFI-4 G/KV & S type
	P / pole (W)
25A	1,40-1,61
40A	2,73 - 4,11
63A	4,76 - 5,69

Conductor cross-section [mm ²]	Number of single conductors, rigid, single-wire CU conductor				
	1	2	3	4	5
1,5	✓	✓	✓	✓	✗
2,5	✓	✓	✓	✗	✗
4	✓	✓	✓	✗	✗
6	✓	✓	✗	✗	✗
10	✓	✓	✗	✗	✗
16	✓	✗	✗	✗	✗
25	✓	✗	✗	✗	✗

Remark: When you use more than 2 cables you have to be careful how those cables are inserted, due to insure proper pressure on each cable

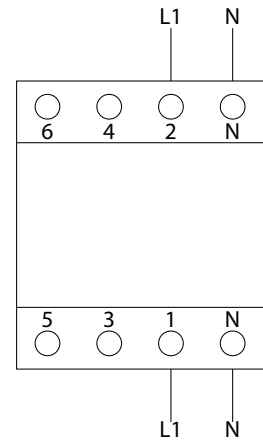
Conductor cross-section [mm ²]	Number of single conductors, flexible Cu conductors without cable ferrule					
	1	2	3	4	5	6
1,5	✓	✓	✓	✓	✓	✓
2,5	✓	✓	✓	✓	✓	✓
4	✓	✓	✓	✓	✓	✓
6	✓	✓	✓	✗	✗	✗
10	✓	✓	✗	✗	✗	✗
16	✓	✗	✗	✗	✗	✗
25	✓	✗	✗	✗	✗	✗

Combination of rigid single-wire and flexible multi-wire Cu conductors is not allowed

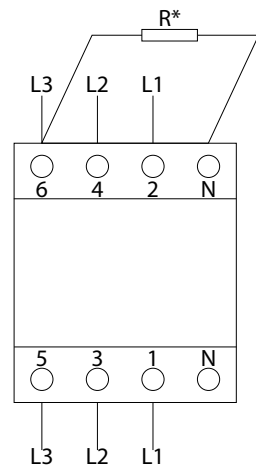
Technical data

B and B+ type residual current circuit breaker EFI-4

Technical data		
Type	B & B+	
Electrical		
Design according to	IEC/EN 61008, IEC/EN 62423 B+ -> VDE 0664-400	
Current test marks as printed onto the device		
Rated voltage U_n	230/400 V AC	
Rated frequency f_n	50/60Hz	
Mode of operation	"A type functionality: voltage independent B and B+ type functionality: voltage dependent"	
Operation voltage electronic	50 – 253V AC	
Voltage range test circuit	196 – 253V AC	
Rated residual operating current $I_{\Delta n}$	Instantaneous	30, 100, 300 mA
	K - short time delayed	30, 100, 300 mA
	S - selective	100, 300 mA
Sensitivity	Alternating, pulsed and smooth direct currents	
Rated insulation voltage U_i	440 V	
Rated impulse withstand voltage U_{imp}	4 kV (1.2/50µs)	
Rated conditional short-circuit current I_{cn}	10 kA	
Rated making and breaking capacity I_m	800 A	
Peak withstand current	3 kA (8/20 µs) surge current proof	
Electrical isolation	> 4 mm contact space	
Maximum back-up fuse $I_n = 25-63A$	Short circuit and overload protection 100 A gG/gL	
Endurance (operating cycles)	electrical components	≥ 2000
	mechanical components	≥ 4000
Mechanical		
Frame size	45 mm	
Device height	68 mm (DIN rail acc to EN60715)	
Device width	72 mm (4xModule Units 18mm)	
Degree of protection	IP20	
Upper and lower terminals	open mounted/lift terminals	
Terminal protection finger and hand touch safe	IEC/EN 61008	
Terminal capacity	1 - 25 mm ²	
Terminal screw	M5 (Pozidrive PZ2)	
Terminal torque	2 - 2.5 Nm	
Busbar thickness	0.8 - 2 mm	
Operating temperature	-25°C ... +55°C	
Storage- and transport temperature	-40°C ... +70°C	
Resistance to vibrations acc. to IEC 60068-2-7	5g (10,60 & 500Hz)	
Resistance to climatic conditions	IEC/EN 61008	
Contact position indicator	mechanical red / green	
Supply possibility	top or bottom	
Mounting position	any	



RCD ETI Type B & B+ in 1-phase system $U_n=230V$



RCD ETI Type B & B+ in 3-phase system without neutral conductor - $U_n=400V$
 30mA: R=2k7/1W (500V)
 100mA: R=7k5/1W (500V)
 300mA: R=2k7/1W (500V)

* Resistor (R) has to be connected between N and L3 as to ensure proper functionality of the test button.

Conductor cross-section [mm ²]	Number of single conductors, rigid, single-wire CU conductor				
	1	2	3	4	5
1,5	✓	✓	✓	✓	✗
2,5	✓	✓	✓	✗	✗
4	✓	✓	✓	✗	✗
6	✓	✓	✗	✗	✗
10	✓	✓	✗	✗	✗
16	✓	✗	✗	✗	✗
25	✓	✗	✗	✗	✗

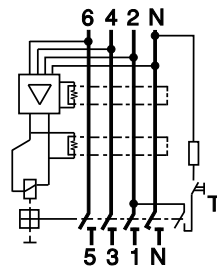
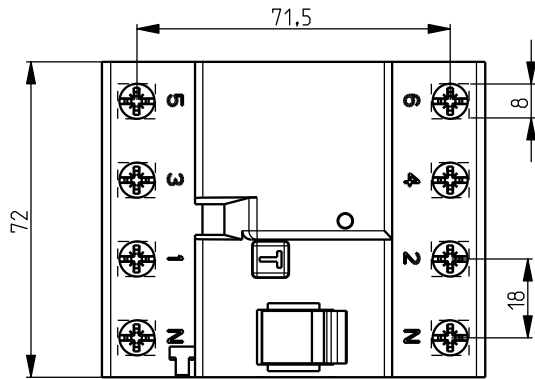
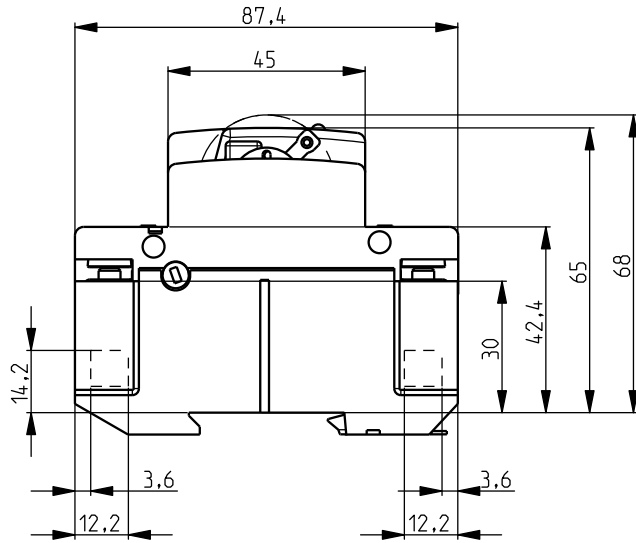
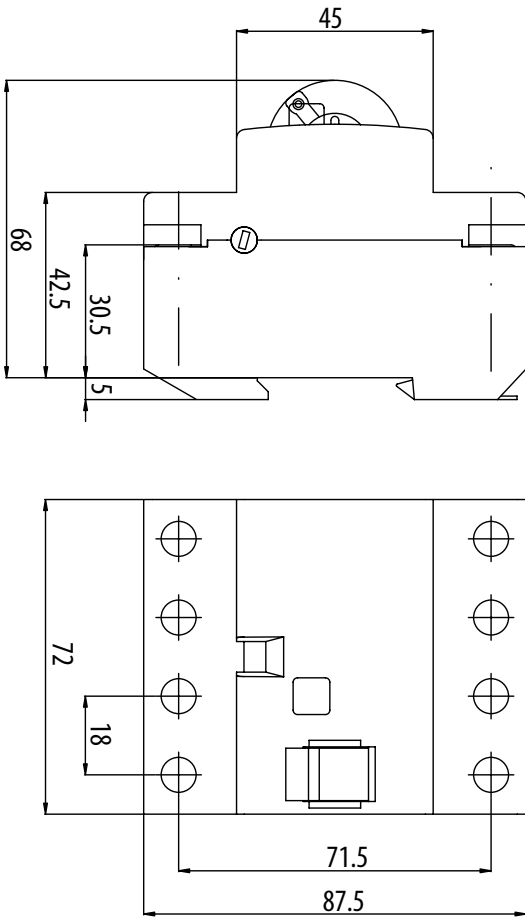
Remark: When you use more than 2 cables you have to be careful how those cables are inserted, due to insure proper pressure on each cable

Conductor cross-section [mm ²]	Number of single conductors, flexible Cu conductors without cable ferrule					
	1	2	3	4	5	6
1,5	✓	✓	✓	✓	✓	✓
2,5	✓	✓	✓	✓	✓	✓
4	✓	✓	✓	✓	✓	✓
6	✓	✓	✓	✗	✗	✗
10	✓	✓	✗	✗	✗	✗
16	✓	✗	✗	✗	✗	✗
25	✓	✗	✗	✗	✗	✗

Combination of rigid single-wire and flexible multi-wire Cu conductors is not allowed

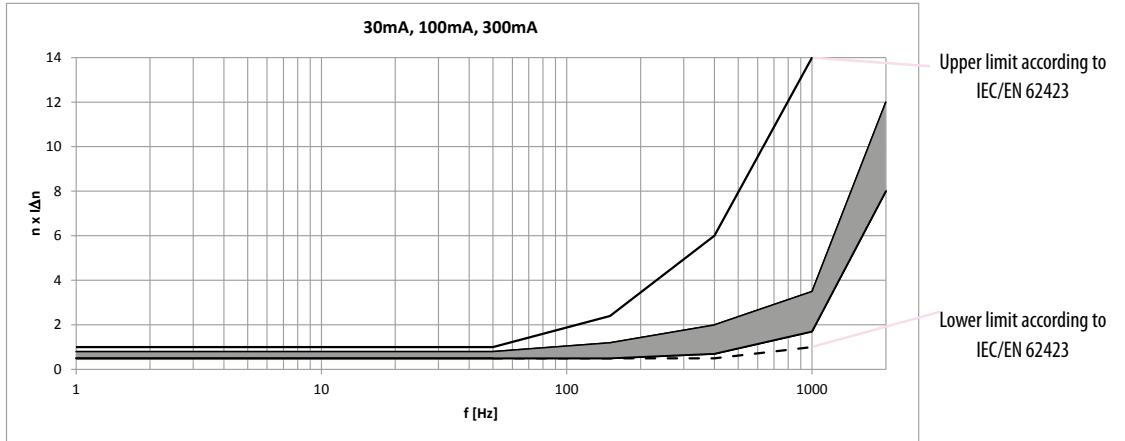
K-Short time delay, S-Selective

Instantaneous

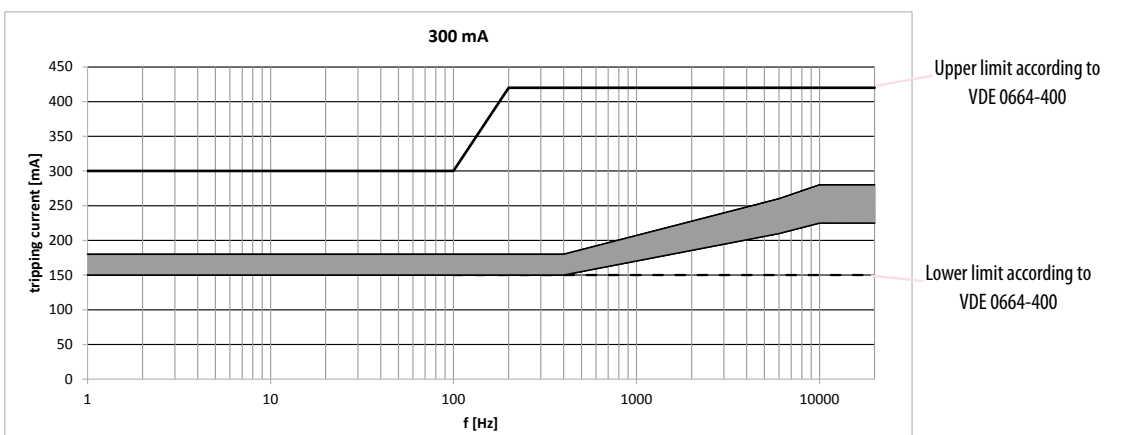
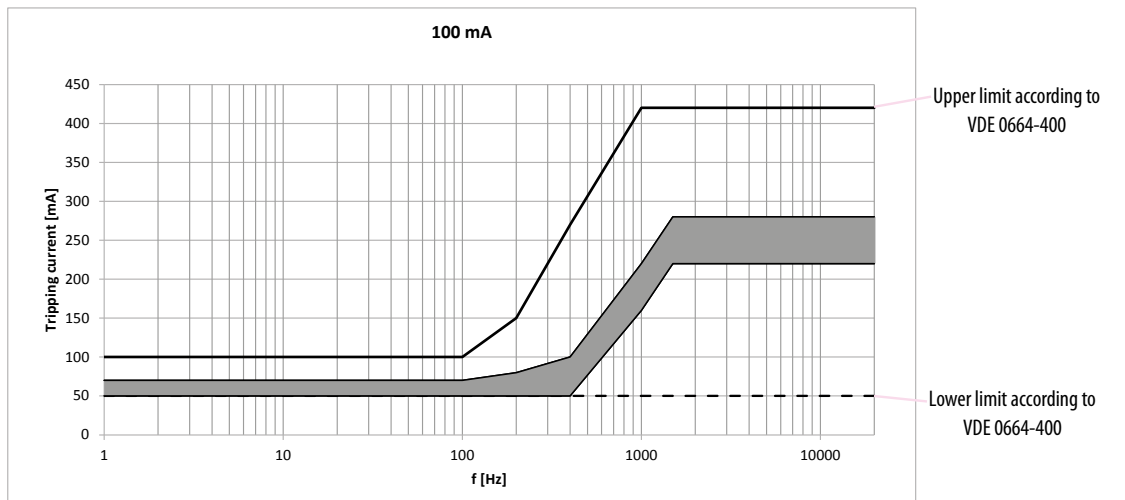
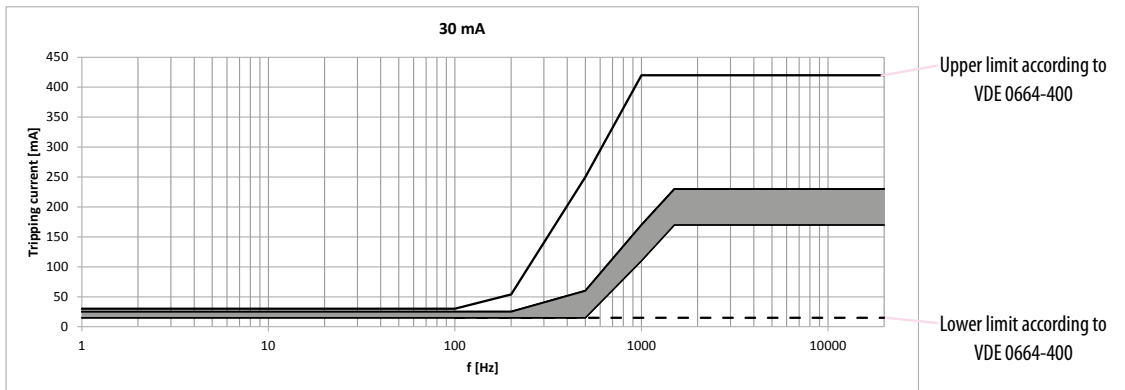


Technical data

EFI B type



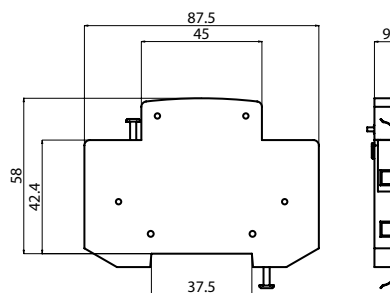
EFI B+ type



Auxiliary switch PS EFI

Technical data

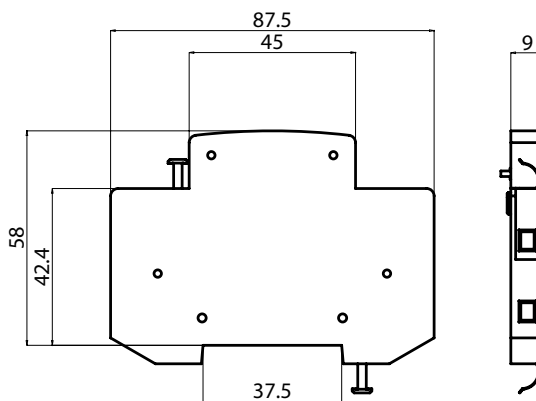
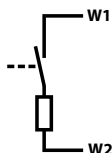
Rated current I_n	6 A (230 V AC), AC 12, 1 A (110 V DC), DC 12
Conditional short-circuit current	1 kA with fuse-link 20 A
Terminals	1-2,5mm ² , max 0,5Nm
Terminal Screw	M3 (PH1)
Mounting position	any
Standards	EN 62019



Shunt trip release DA EFI

Technical data

Rated voltage	230V AC
Rated frequency	50/60Hz
Max inrush current	0,8A
Terminals	1-2,5mm ² , max 0,5Nm
Terminal Screw	M3 (PH1)
Build-in width	9mm
Mounting position	any



Residual current circuit breaker with integral overcurrent protection KZS -1M

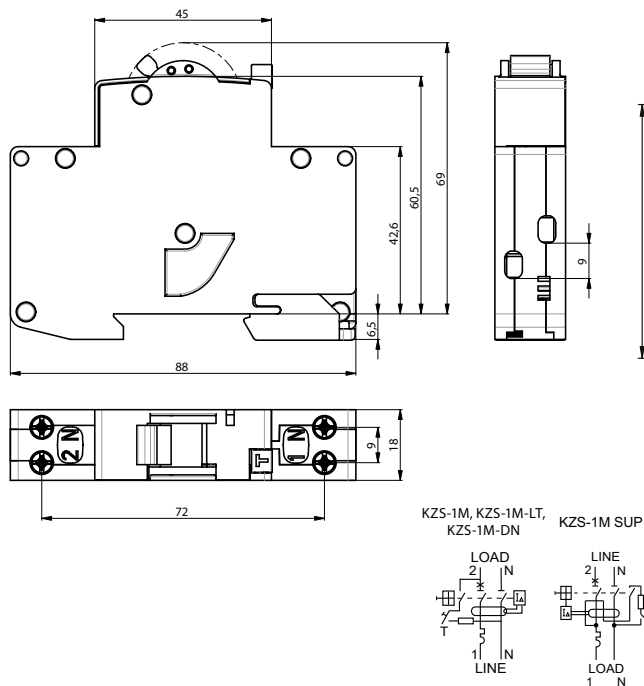
Technical data

Type	KZS 1M	KZS 1M DN	KZS 1M FN
Rated voltage U_n		230 V AC	
Rated current I_n	6-25 A	6-25 A	6-45 A
Minimal supply voltage U_{min}		90 V	
Rated frequency f_n		50 Hz	
Rated short-circuit capacity	6.000 A	6.000 A	10.000 A
Back-up fuse		100 A gG	
Tripping characteristic		B, C	
Rated residual current $I_{\Delta n}$	10, 30, 100 mA	30 mA	30, 100 mA
Type of residual release		A, AC	
Rated residual making and breaking capacity $I_{\Delta n}$	1500A	1500A	4500A
Terminals	1-10 mm ² , max. 1,5Nm	1-10 mm ² , max. 1,5Nm	1-25 mm ² / 1-16 mm ²
Terminal screw	M4 (Pozidrive PZ2)	M4 (Pozidrive PZ2)	M5 (Pozidrive PZ2)
Width		18 mm	
Mounting position		any	
Standard	IEC 61009	IEC 61009, EN 50550	IEC 61009-1 / 61009-2
Length of neutral conductor	-	-	600 mm
Operating temperature		-25°C ... +40°C	

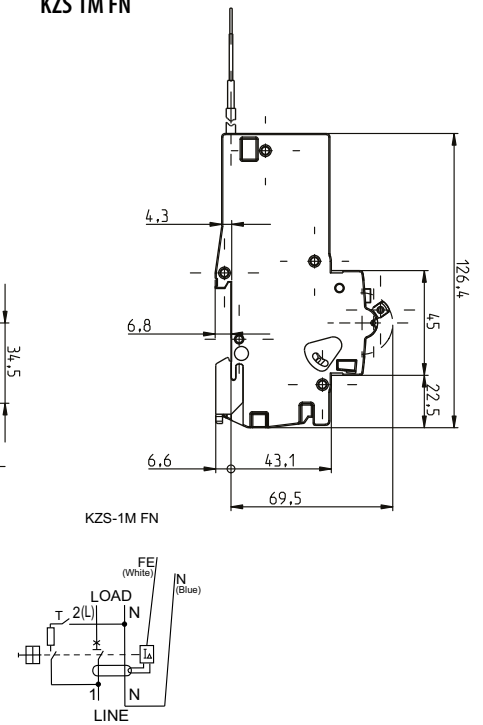
Voltage [V]	KZS 1M DN	
	Tripping time [s]	
255	/	
275	3s < t < 15s	
300	1s < t < 5s	
350	0,25s < t < 0,75s	
400	0,07s < t < 0,20s	

Technical data

KZS-1M, KZS-1M-SUP, KZS-1M-LT, KZS-1M-DN



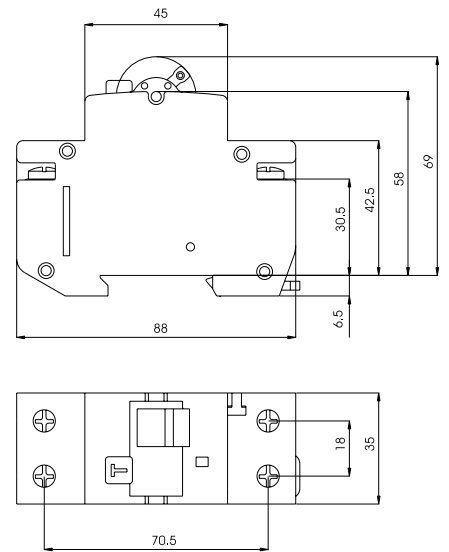
KZS 1M FN



Residual current circuit breaker with integral overcurrent protection KZS-2M

Technical data

Type	INST	G/KV
Rated voltage U_n	230 V AC	
Rated current I_n	6-40 A	4-40A
Rated frequency f_n	50/60 Hz	
Rated short-circuit capacity	10.000 A	
Back-up fuse	100 A gG	
Tripping characteristic	B, C	
Type	A, AC	
Rated residual current $I_{\Delta n}$	10, 30, 100, 300, 500 mA	30 mA
Peak withstand current	250 A	3 kA
Rated residual making and breaking capacity $I_{\Delta m}$	10.000A	
Terminals	1-25 mm ² , max. 3Nm	
Terminal screw	M5 (PoziDrive PZ2)	
Width	36 mm	
Mounting position	any	
Resistance to vibrations acc. to IEC 60068-2-7	5g (10,60 & 500Hz)	
Standard	IEC 61009, EN 61009	

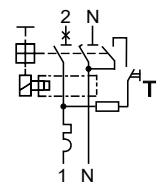


Conductor cross-section [mm ²]	Number of single conductors, rigid, single-wire CU conductor				
	1	2	3	4	5
1,5	✓	✓	✓	✓	✗
2,5	✓	✓	✓	✗	✗
4	✓	✓	✓	✗	✗
6	✓	✓	✗	✗	✗
10	✓	✓	✗	✗	✗
16	✓	✗	✗	✗	✗
25	✓	✗	✗	✗	✗

Remark: When you use more than 2 cables you have to be careful how those cables are inserted, due to insure proper pressure on each cable

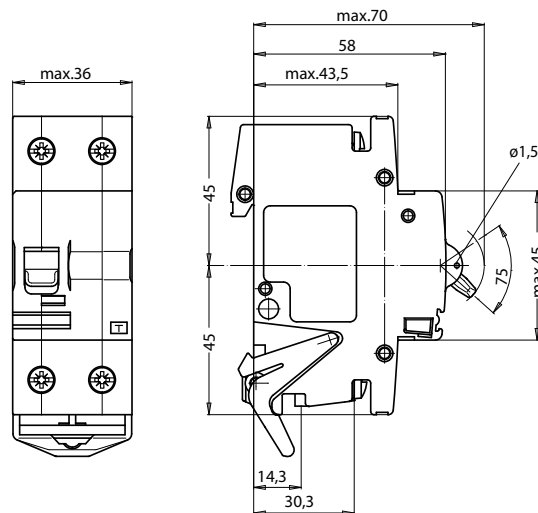
Conductor cross-section [mm ²]	Number of single conductors, flexible Cu conductors without cable ferrule					
	1	2	3	4	5	6
1,5	✓	✓	✓	✓	✓	✓
2,5	✓	✓	✓	✓	✓	✓
4	✓	✓	✓	✓	✓	✓
6	✓	✓	✓	✗	✗	✗
10	✓	✓	✗	✗	✗	✗
16	✓	✗	✗	✗	✗	✗
25	✓	✗	✗	✗	✗	✗

Combination of rigid single-wire and flexible multi-wire Cu conductors is not allowed



Residual current circuit breaker with integral overcurrent protection KZS-R

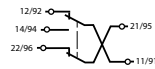
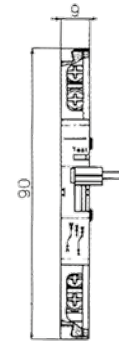
Technical data	
Rated Voltage U_n	230V
Rated Current I_n	6-32A
Rated frequency	50/60Hz
Rated insulation Voltage U_i	240V
Rated short-circuit capacity	10kA
Max back-up fuse	gG 100A
Tripping characteristic	B & C
Type	A
Rated residual current $I_{\Delta n}$	10, 30mA
Rated residual making and breaking capacity $I_{\Delta m}$	10.000 A
Peak withstand current	250A (8/20ms) surge current proof
Rated impulse withstand voltage U_{imp}	4kV (1.2/50ms)
Electrical isolation	> 4mm contact space
Insulating class	VDE 0110
Mechanical endurance (cycles)	> 10.000
Electrical endurance (cycles)	> 3.000
Standards	IEC/EN 61009
Frame size	45mm
Device height	70 mm (DIN rail acc to EN60715)
Device width	36 mm (2 Module units)
Degree of protection	IP 20
Upper and lower terminals	open mounted/lift terminals
Terminal capacity	1-25mm ²
Terminal screw	M5 (Pozidrive PZ2)
Terminal torque	max 2Nm
Busbar thickness	0.8 - 2mm
Operating temperature	- 25°C ... + 40°C
Storage and transport temperature	- 40°C ... + 70°C
Resistance to climatic conditions	IEC/EN 61009
Contact position indicator	mechanical red/green
Supply possibility	top or bottom



Technical data

Auxiliary signal switch PS/SS KZS-R

Technical data	
Rated voltage	230V AC/DC, 110V DC
Rated current	6A (230V AC); 1A (110V DC); 0,5A (220V DC)
Rated frequency	50/60Hz, DC
Index of protection	IP 20 (IP 40)
Terminals	max. 1.5mm ² , max 0.8Nm
Ambient temperature	max. 35°C
Storage temperature	max. -40°C to +70°C
Contacts	1x NC, 1x NC/NO
Mounting position	any
Standards	EN 62019



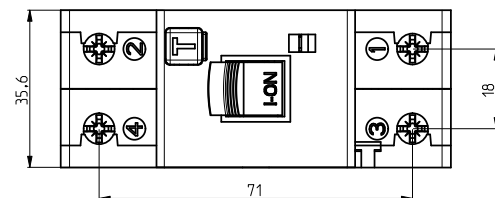
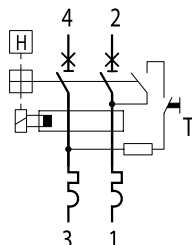
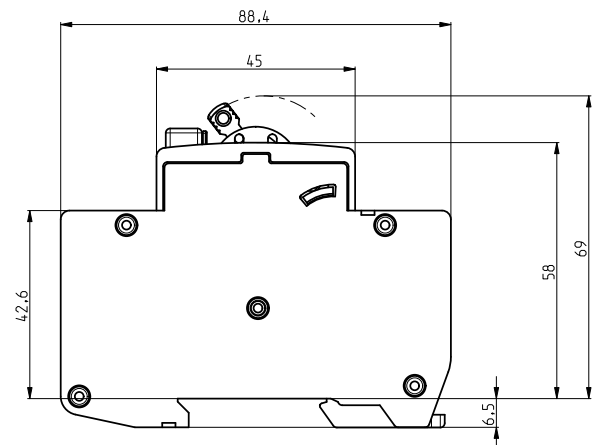
NO - Normally open contact --> during the activation it makes a contact
 NC - Normally closed contact --> during the activation it brakes the contact
 1 - contact
 0 - without a contact

AUX switch connections	status of the breaker	
	ON	OFF
11-14 NO	1	0
11-12 NC	0	1
21-22 NC	0	1

Signal switch connections	status of the breaker		
	ON	manual trip	overcurrent trip
11-14 NO	1	1	0
11-12 NC	0	0	1
21-22 NC	0	0	1

Residual current circuit breaker with integral overcurrent protection KZS-2M 2p

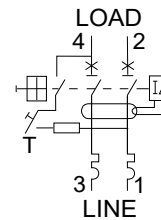
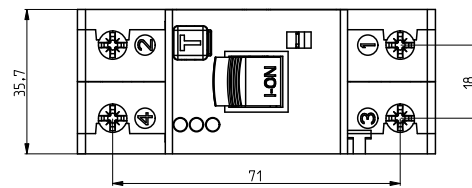
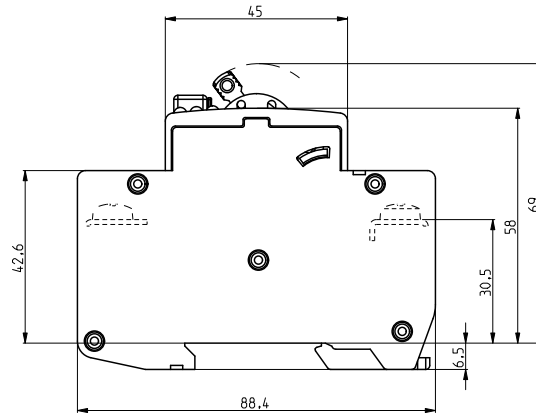
Technical data	
Rated voltage U_n	230 V AC
Rated current I_n	6-25 A
Rated frequency f_n	50 Hz
Rated short-circuit capacity	10.000 A
Back-up fuse	100 A gG
Tripping characteristic	B, C
Type	A
Rated residual current $I_{\Delta n}$	30, 100 mA
Rated residual making and breaking capacity $I_{\Delta m}$	1500A
Terminals	1-25 mm ² , max. 3Nm
Terminal screw	M5 (Poqidrive PZ2)
Width	36 mm
Mounting position	any
Resistance to vibrations acc. to IEC 60068-2-7	5g (10,60 & 500Hz)
Standard	IEC 61009, EN 61009



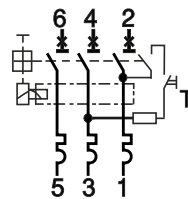
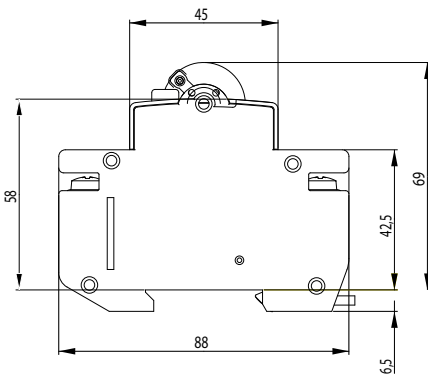
Residual current circuit breaker with integral overcurrent protection with LED status signalisation KZS 2M2p EDI

Technical data

Rated voltage U_n	~230 V AC
Rated current I_n	6-25 A
Rated frequency f_n	50 Hz
Minimal supply voltage U_{min}	90 V
Min. LED operating voltage U_{min}	150 V
Rated short-circuit capacity	10.000 A
Back-up fuse	100 A gG
Tripping characteristic	B, C
Energy limiting class	3
Type of residual release	A
Rated residual current $I_{\Delta n}$	30 mA
Rated residual making and breaking capacity $I_{\Delta m}$	1500A
Index of protection	IP20
Overvoltage category	III
Ambient temperature	-25 °C ... +40 °C
Storage temperature	-40 °C ... +70 °C
Mounting position	any
Terminals	1-25 mm ² , max. 3 Nm
Terminal screw	M5 (Pozidrive PZ2)
Width	36 mm
Resistance to vibrations acc. to IEC 60068-2-7	5g (10,60 & 500Hz)
Standard	IEC 61009-2, IEC 61009-1

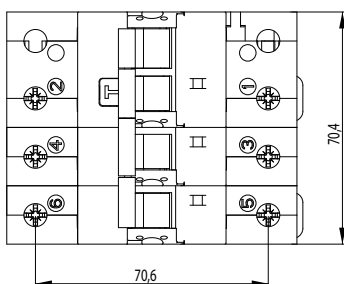


Residual current circuit breaker with integral overcurrent protection KZS-4M 3p



Technical data

Rated voltage U_n	~400 V AC
Rated current I_n	6-32 A
Rated frequency f_n	50/60 Hz
Rated short-circuit capacity	10.000 A
Back-up fuse	100 A gG
Tripping characteristic	B, C
Type	AC, A
Rated residual current $I_{\Delta n}$	30, 100, 300, 500 mA
Rated residual making and breaking capacity $I_{\Delta m}$	4500A
Terminals	1-25 mm ² , max. 3 Nm
Terminal screw	M5 (Pozidrive PZ2)
Width	72 mm
Mounting position	any
Standard	EN 61009-1



Conductor cross-section [mm ²]	Number of single conductors, rigid, single-wire CU conductor				
	1	2	3	4	5
1,5	✓	✓	✓	✓	✗
2,5	✓	✓	✓	✗	✗
4	✓	✓	✓	✗	✗
6	✓	✓	✗	✗	✗
10	✓	✓	✗	✗	✗
16	✓	✗	✗	✗	✗
25	✓	✗	✗	✗	✗

Remark: When you use more than 2 cables you have to be careful how those cables are inserted, due to insure proper pressure on each cable

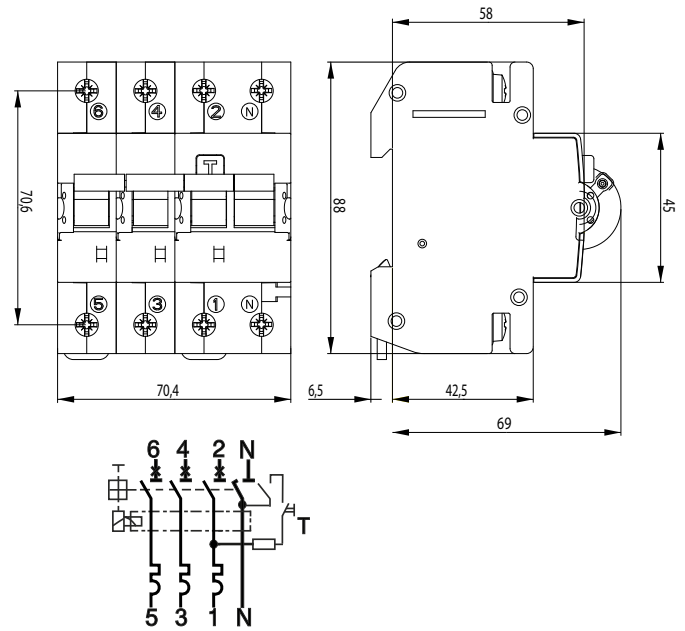
Conductor cross-section [mm ²]	Number of single conductors, flexible Cu conductors without cable ferrule					
	1	2	3	4	5	6
1,5	✓	✓	✓	✓	✓	✓
2,5	✓	✓	✓	✓	✓	✓
4	✓	✓	✓	✓	✓	✓
6	✓	✓	✓	✗	✗	✗
10	✓	✓	✗	✗	✗	✗
16	✓	✗	✗	✗	✗	✗
25	✓	✗	✗	✗	✗	✗

Combination of rigid single-wire and flexible multi-wire Cu conductors is not allowed

Technical data

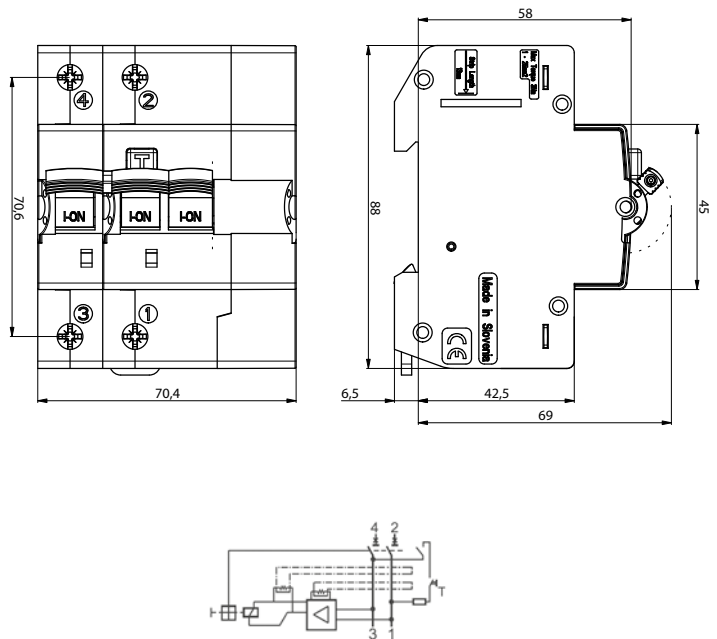
Residual current circuit breaker with integral overcurrent protection KZS-4M 3p+N

Technical data	
Rated voltage U_n	~400 V AC
Rated current I_n	6-32 A
Rated frequency f_n	50/60 Hz
Rated short-circuit capacity	6.000 A
Back-up fuse	100 A gG
Tripping characteristic	B, C
Type	AC, A
Rated residual current $I_{\Delta n}$	30, 100, 300, 500 mA
Rated residual making and breaking capacity $I_{\Delta m}$	4500A
Terminals	1-25 mm ² , max. 3 Nm
Terminal screw	M5 (Pozidrive PZ2)
Width	70 mm
Mounting position	any
Standard	EN 61009-1



Residual current circuit breaker with integral overcurrent protection KZS-4M 2p B-type

Technical data	
Electrical	
Rated voltage U_n	230 V AC
Rated current I_n	6, 10, 13, 16, 20, 25, 32, 40 A
Rated Insulation voltage U_i	440 V
Peak withstand current	3kA (8/20ms) surge current proof
Electrical isolation	> 4mm contact space
Rated residual operating current $I_{\Delta n}$	30, 100, 300mA
Rated short-circuit capacity	10kA
Maximum back-up fuse	100A gG
Isolation class	B
Standard	IEC/EN 61009-1, IEC/EN 62423
Mechanical endurance	20.000
Electrical endurance	10.000
Mechanical	
Frame size	45mm
Device height	69 mm
Device width	70 mm
Degree of protection	IP20
Upper and lower terminals	open mounted/lift terminals
Terminal capacity	1-25 mm ²
Terminal screw	M5 (Pozidrive PZ2)
Terminal torque	max 3,0 Nm
Operating temperature	-25°C ... +60°C
Storage and transport temperature	-40°C ... +70°C
Resistance to climatic conditions	IEC/EN 61009
Contact position indicator	mechanical red/green
Supply possibility	Top or bottom



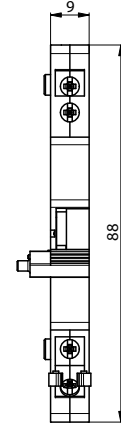
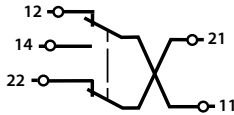
Auxiliary switch PS KZS-2M/4M

Technical data	
Function	Auxiliary Switch
Rated voltage	230V AC/DC, 110V DC
Rated current	6A (230V AC); 1A (110V DC); 0,5A (220V DC)
Rated frequency	50/60Hz, DC
Index of protection	IP 20 (IP 40)
Terminal capacity	1,5mm ²
Terminal Screw	M3 PH1
Terminal torque	max 0,5Nm
Ambient temperature	-25°C to +40°C
Storage temperature	-40°C to +70°C
Contacts	1x NC, 1x NO/NO
Mounting position	any
Standards	EN 62019

AUX switch connections	status of the breaker	
	ON	OFF
11-14 NO	1	0
11-12 NC	0	1
21-22 NC	0	1

NO - Normally open contact --> during the activation it makes a contact
 NC - Normally closed contact --> during the activation it brakes the contact
 1 - contact
 0 - without a contact

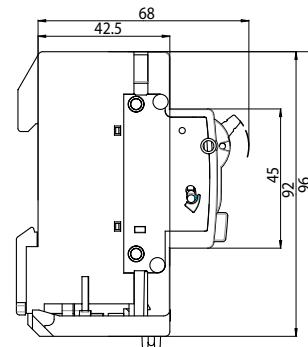
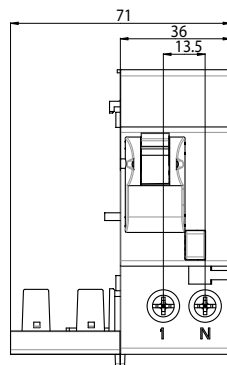
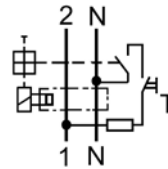
Suitable for use with:	
Type	Suitable
KZS-1M	✗
KZS 1M-FN	✗
KZS-2M	✓
KZS-2M2p	✗
KZS-4M 3p	✓
KZS-4M 3p+N	✓
KZS-4M2p	✗
KZS-R	✗



Add-on block for residual current protection DIFO

DIFO2

Technical data	
Rated voltage U_n	230/400 V AC
Rated current I_n	≤32 A ≥ 40 A
Rated frequency f_n	50 / 60 Hz
Rated residual current $I_{\Delta n}$	30, 100, 300 mA
Type of residual current tripping	AC, A
Terminals	1 – 25 mm ² , max. 3 Nm
Terminal screw	M5 (Pozidrive PZ2)
Mounting position	any
Standards	IEC 61009, EN 61009



DIFO4

